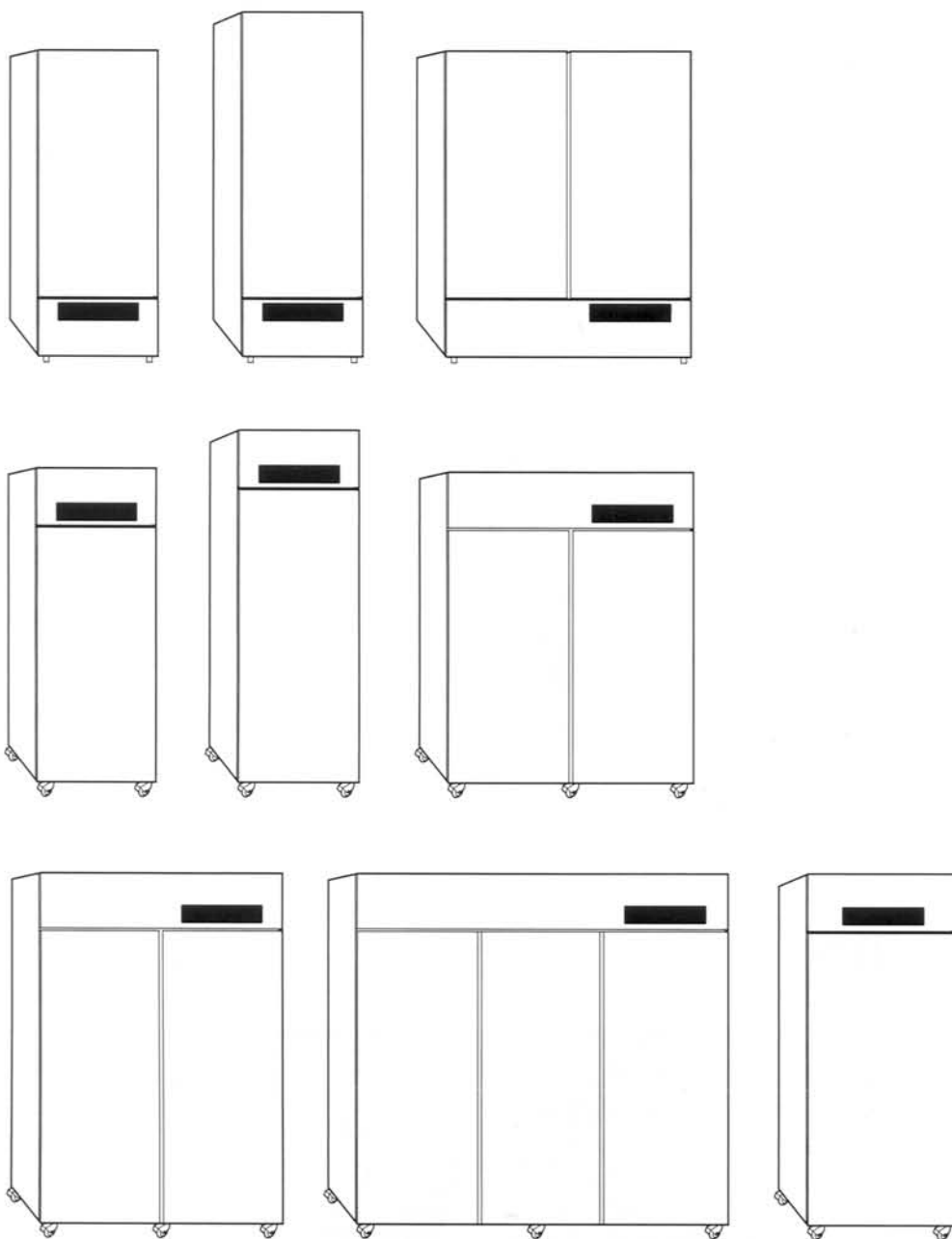


# Gastronorm Supra

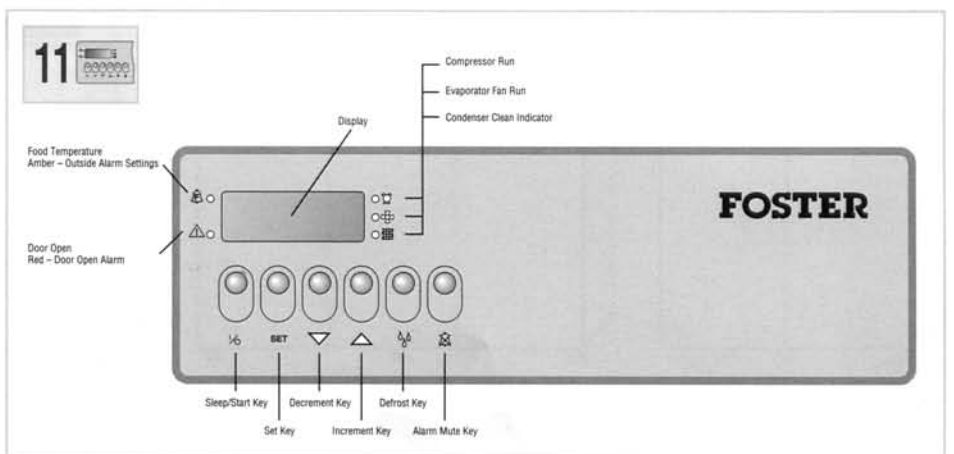
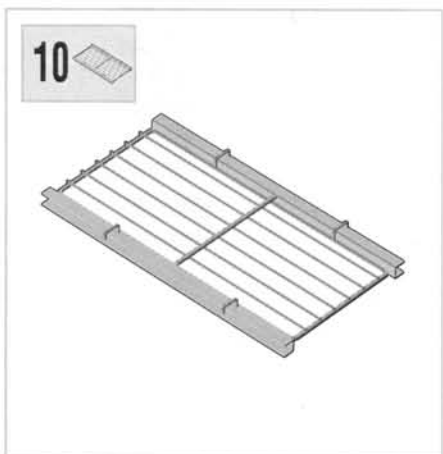
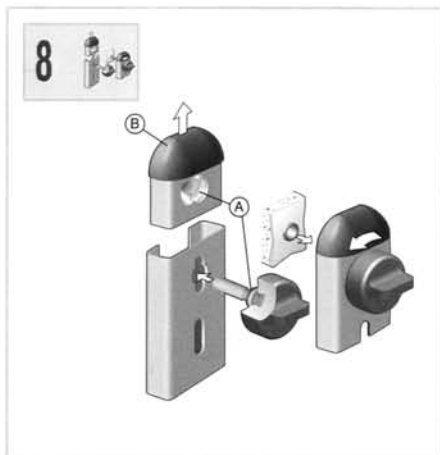
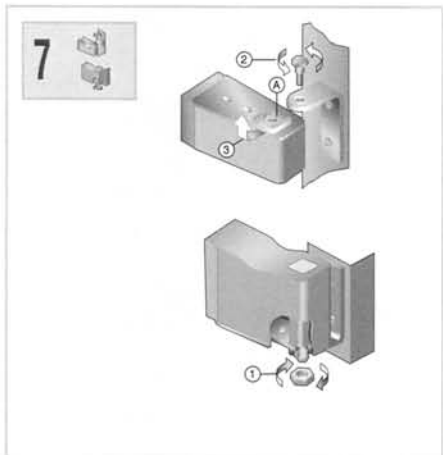


- GB** Operating Instructions
- F** Mode d'emploi
- D** Betriebsanleitung



**CE**

**Operating Instructions**



# English

## POSITIONING/ UNPACKING

### POSITIONING:

**IMPORTANT:** Ensure a minimum clearance of 6" (150mm) above cabinets and adequate ventilation for efficient operation.

Where possible, ensure that cabinet is not adjacent to a heat source.

### UNPACKING:

The cabinet is mounted on a pallet and shrink-wrapped. Keys and wiring diagram are supplied in a clear pocket stuck to the front of the cabinet. Carefully remove the shrink-wrapping. Make sure that any sharp instrument used does not damage the cabinet.

Remove protective plastic film from cabinet body. For clean removal, carefully run a sharp blade along joints and edges. Remove quality stickers and plastic cover strip from the black door trims.

### REMOVAL OF PALLET:

Remove fittings from inside the cabinet.

Unbolt the retaining bolts which secure the cabinet to its pallet.



1 Move the cabinet over the back of the pallet and bolt legs into the rear leg mounting holes. To fit the front legs\*, tilt the cabinet to the rear, remove the pallet and bolt the front legs into the front mounting holes.

NB. Take care not to damage drain outlet at base of some 'T' models.

NB. If cabinet is laid down for any reason, make sure it is returned to an upright position without delay.

## LEGS/CASTORS/FEET

These are boxed with the shelves and shelf supports inside the cabinet.

### 'T' MODELS



2 These models are normally fitted with 100mm diameter swivelling castors. The front castors are lockable.

NB. ENSURE THAT CASTORS/LEGS ARE SECURELY TIGHTENED ON INSTALLATION.

Check level of the cabinet with a spirit level. If the cabinet is not level the door(s) may not close correctly. Cabinet levels may be adjusted as follows:

#### Cabinets fitted with castors.

Insert spacers between the appropriate castor and the base of the cabinet until the level is achieved.

**Cabinets fitted with 150mm legs as an alternative.**



3 Achieve level by adjusting the bolts at the ends of the legs.

### 'U' MODELS



4 'U' models are usually supplied with specially designed levelling bolts which can be adjusted individually.

### VAPORISER TRAY (some 'T' models)



5 Slide the vaporiser tray onto its runners at the bottom of the cabinet and insert plug into socket provided.

If the runners are tight, loosen slightly and retighten after inserting tray.

*Hot Gas Models: where cabinet is sited in very low ambient or high humidity conditions, it may be necessary to fit a booster heater to assist the vaporiser in dissipating condensate water.*

## UNIT COMPARTMENT COVER

### REMOVAL:



6 The unit compartment cover is slotted into position. To remove pull forward to release from spring clips. *Drawings show 'T' model and 'U' model with spring clip detail and positions each side.*

## DOORS

### REMOVAL/ADJUSTMENT

Narrow site access may require door removal. It is necessary to remove the unit compartment cover to gain access to the door hinge.

a) Remove unit compartment cover as in 6.



b) Remove the locknut from the bottom hinge bracket. (See ①)

c) Remove the threaded pin from the top hinge bracket. (See ②)

d) The door is then free to be pulled clear of the top hinge bracket along the line of the groove in the hinge pin bush (A) and then lifted clear of the bottom hinge bracket. (See ③)

## SHELVING

### REMOVABLE SHELF SUPPORT UPRIGHTS:



8 To remove unscrew retaining studs at top and bottom of upright, this will allow the vertical support to be lifted away. The retaining studs are held in position in the vertical support by means of a collar and groove arrangement shown at (A). A sharp tug on the stud will disengage it from the collar so that it and the end plug (B) can be removed if necessary ie. for cleaning purposes.

NB. BEFORE REPLACING VERTICAL SUPPORTS AND/OR TRAYSLIDES, TRAYS AND SHELVES, WIPE THE CABINET WITH A CLEANER APPROVED FOR FOOD CONTACT SURFACES.

ENSURE THE RETAINING STUDS IN THE VERTICAL SUPPORTS ARE TIGHT.

### Shelf/Tray Supports



9 To fit trayslides insert the bottom projection into the vertical support and twist the trayslide with an upward motion to engage the top projection.

Ensure the trayslides are parallel and level after fitting.

### Infill Shelf



10 Infill shelf (when supplied) is supported on the trayslides behind the mullion of 2 door 'T' models.

## USER OPERATION GUIDELINES



11 The Temperature Controller maintains a desired counter internal air temperature which is normally displayed on the display fascia. The Temperature Controller also carries out automatic defrosting and performs various alarm functions.

### 1. Fascia Indicators and Keys

#### 1.1 Indicators

**Display** – Normally indicates internal air temperature in °C. Indicates status during defrosting and parameter values during Temperature Controller Programming.

**Food Temperature Indicator** – Illuminated amber if the temperature of the stored product falls outside preset alarm limits. Extinguished when the stored product temperature falls back within alarm limits. The Temperature Controller calculates the temperature of the stored product through monitoring internal air temperature.

**Door Open Indicator** – Illuminated red after door open alarm delay period has elapsed.

**WARNING****ELECTRICITY AT WORK  
REGULATIONS 1989**

Before commencing any testing on this appliance for conformity with the requirements Electricity at Work Regulations refer to supply dealer for guidance on testing.

Some equipment is furnished with low voltage electronic components which may be irreparably damaged if incorrect testing is applied. Foster Refrigerator (UK) Ltd undertakes no responsibility from failures resulting from inappropriate testing.

Extinguished when all doors are re-closed. Active only on models fitted with door switches.

**Compressor Run Indicator** – Illuminated green while compressor is running. Compressor will cycle on and off to maintain desired internal temperature.

**Evaporator Fan Run Indicator** – Illuminated green while the evaporator fan is running. Evaporator fan will stop if a door is opened on models fitted with door switches.

**Condenser Clean Indicator** – Illuminated green after the preset Condenser Clean Time period has elapsed.

**1.2 Fascia Keys****Sleep/On Key (  $\frac{1}{2}$  )**

- Switches the Temperature Controller between 'sleep' and 'on' states.

**Set Key (SET)**

- Used to access User Parameter Settings.

**Decrement Key (  $\nabla$  )**

- During normal operation, used to display the stored product temperature on the numeric display. During parameter setting, used to decrement parameter values.

**Increment Key (  $\triangle$  )**

- During normal operation, used to display the evaporator temperature on the numeric display (not high temperature models) and used in conjunction with the Defrost Key to initiate a manual defrost. During parameter setting, used to increment parameter values.

**Defrost Key (  $\delta\delta$  )**

- Used in conjunction with the Increment Key to initiate a manual defrost.

**Alarm Mute Key (  $\otimes$  )**

- Used to mute audible alarm outputs for a period of ten minutes. After ten minutes period, the alarm may re-sound if the cause of an alarm is still present.

**2. Temperature Controller Operation**

Power must be applied to the counter and the rocker switch on the rear of the Temperature Controller should be in the 'on' position.

Three bars '---' will be displayed in the display while the Temperature Controller is in the 'sleep' state. Pressing the  $\frac{1}{2}$  key will cause the Temperature Controller to switch 'on' and internal air temperature will be shown in the display.

Pressing the  $\nabla$  key will cause the simulated stored product temperature to be shown in the display.

Pressing the  $\triangle$  key will cause the evaporator temperature to be shown in the display (not high temperature models).

**Defrost Functions**

The Temperature Controller will automatically cause defrosting to occur at regular intervals. A defrost can also be initiated manually by holding down the  $\delta\delta$  key and pressing the  $\triangle$  key. The display will show 'DEF' (defrost) followed by 'REC' (recovery) during the defrosting period.

**Alarm Functions**

The Temperature Controller has both an internal audible alarm and external alarm relay contact for connection of a remote audible alarm. The Temperature Controller is configured normally to give a audible alarm only under Door Open Alarm conditions.

Audible alarms may be cancelled for a period of ten minutes by operation of the  $\otimes$  key.

**Error Annunciation**

The display may show on one of the following two error codes, PF1 (air temperature probe fault) or PF2 (evaporator temperature probe fault). In the event of such a fault, a service engineer must be contacted.

**User Parameter Setting**

User Parameters

**C1 Temperature Set Point (°C)** – Lower operating point of temperature range.

**C2 High Food Temperature Alarm Setting (°C)** – Upper alarm limit.

**C3 Low Food Temperature Alarm Setting (°C)** – Lower alarm limit.

**C4 Condenser Clean Time (Hours\*100)** – Time elapsed since condenser was last cleaned. Condenser Clean Indicator will illuminate when this value reaches sixteen (1500 hours). Value should be reset to zero after condenser is cleaned.

Access to the user parameters can be made by a simple series of key operations.

Pressing the 'SET' button will cause the Controller to enter the programming mode, with the display showing *SET*. Further operation of the 'SET' key causes the display to scroll through the User Parameters C1 to C4. While the 'SET' key is depressed, the parameter number is displayed, releasing the 'SET' key causes the value of the parameter to be displayed. A parameter value may be altered using the  $\nabla$  or  $\triangle$  key.

To exit the User Parameter Programming Mode and return to normal operation of the Controller, the  $\triangle$  key must be depressed while holding

down the 'SET' key. While both buttons are depressed, the display will show *FIN* and releasing the buttons will return the Controller to normal operation with the display showing internal air temperature. Note, while the Temperature Controller is in the programming mode, full control of the counter refrigeration components is still maintained.

Note, while in the programming mode, if no button is depressed for a period of two minutes, the Controller will revert to normal operation.

**Example**

**Press 'SET'** Display shows *SET*

**Press 'SET'** Display shows *C1*  
(while 'SET' button is depressed)  
Display shows *value*  
(when 'SET' button is released)

**Press 'SET'** Display shows *C2*  
(while 'SET' button is depressed)  
Display shows *value*  
(when 'SET' button is released)

(Pressing the 'UP' or 'DOWN' button will cause the value of a parameter to increment or decrement respectively.)

**Press 'UP'** Display shows *C2*  
(while 'UP' button is depressed)  
Display shows *new value*  
(when 'UP' button is released)

**Press 'SET'** Display shows *C3*  
(while 'SET' button is depressed)  
Display shows *value*  
(when 'SET' button is released)

**Press 'SET'** Display shows *C4*  
(while 'SET' button is depressed)  
Display shows *value*  
(when 'SET' button is released)

(Pressing the 'SET' button after the last parameter will cause the display to return again to the first parameter.)

**Press 'SET'** Display shows *C1*  
(while 'SET' button is depressed)  
Display shows *value*  
(when 'SET' button is released)

(If desired, the Controller can be caused to exit the programming mode having saved any new parameter values.)

**Press 'SET' and 'UP' together** Display shows *FIN*  
(while buttons are depressed)  
Display shows *air temperature*  
(when buttons are released)

**SWITCHING ON**

*NB. If cabinet has been laid on its back during installation do NOT switch on immediately (leave in upright position for at least 60 minutes).*

Connect mains supply lead to a suitably fused

plug or wire directly to distribution/fuse box. Switch on the cabinet. (See reference operation instructions.)

Allow cabinet to reach storage temperature before loading.

**BEFORE LOADING:**

Wipe the cabinet interior with a cleaner approved for food contact surfaces before loading food.

**CLEANING/ MAINTENANCE**

*NB. BEFORE INTERNAL CLEANING, SWITCH OFF CABINET USING THE ON/OFF SWITCH ON THE CONTROL PANEL FACIA.*

**IMPORTANT: CLEANING INSTRUCTIONS**

Cared for correctly, stainless steel has the ability to resist corrosion and pitting for many years. We recommend daily cleaning with:

- a. a spray cleaner or bactericide approved for stainless steel surfaces.
- b. hot soapy water followed by wiping down with lint free towelling.

Always clean with the grain of the metal.

These methods are also suitable for aluminium surfaces.

**NB. DO NOT USE AMMONIA-BASED CLEANERS ON ALUMINIUM.**

**WARNING:**

High alkaline cleaning agent or those containing bleaches, acids and chlorines are very harmful to stainless steel. Corrosion and pitting may result from their accidental or deliberate application.

If any of these liquids should come in contact with your refrigerator during general kitchen cleaning, wipe down the affected area **IMMEDIATELY** with mild soapy water and rub dry.

Never use wire wool or scouring powders on stainless steel or aluminium surfaces.

Stubborn staining of steel surfaces can be removed with a non-abrasive cream cleaner or, in extreme cases, gentle rubbing with 'Scotchbrite' in the direction of the grain.

*Internal surfaces:* remove all contents and fittings at least once a month for thorough cleaning of shelves, floor and walls, using a mild disinfectant. Dry all surfaces and allow cabinet to reach storage

temperature before reloading. Check guards are secure. NB. All foodstuffs must be stored in back up store during the cleaning period.

*Any spillages* must be wiped clean immediately.

*Drain lines* and internal drip trays (when fitted): check monthly and remove any obstructions, flush out with warm water and wipe dry.

*Condenser* (sited in unit compartment): keep dust free with stiff (not wire) brush. Clean the condenser when the 'green condenser clean light' on the control facia is illuminated. Re-set to zero afterwards. (See microprocessor control operation.) NB. Switch off cabinet before doing this.

*Door gaskets:* clean monthly. Replace if not sealing correctly. This is a good time to check operation of mullion heaters (cabinets below 0°C). Door surrounds should be warm and ice free.

*Castors:* check monthly to ensure secure fixing.

**HAZARDS**

Hot pipes and fans in the unit compartment. Keep guarded at all times.

Do not touch interior with warm damp hands – skin can 'freeze' to metal.

Safeguard children when discarding an old cabinet by breaking off door latches, locks and hinges.

Protect the ozone layer: refrigerant gases should be reclaimed for safe disposal at time of major service work or scrapping of old cabinet.

**OPERATIONAL FAILURE**

Before calling in a service engineer check:

- Power failure (power may be off at source).
- Plug may be loose or pins bent preventing contact.
- Blown fuses.
- Low voltage in line.

When requesting a service call quote serial no. (E-) and model no. from silver label inside door.



## MISE EN PLACE ET DEBALLAGE

### Mise en place

Avant d'installer définitivement l'armoire, s'assurer qu'il y a une ventilation suffisante. Dans la mesure du possible, s'assurer que l'armoire n'est pas installée à proximité d'une source de chaleur.

### Déballage

L'armoire est livrée sur palette, sous emballage thermo-retractable. Les clés et le schéma électrique sont situés dans une pochette transparente. Retirer précautionneusement l'emballage à l'aide d'un couteau en veillant à ne pas endommager l'armoire.

Retirer ensuite les pellicules de protection des côtés et de la façade. Pour un résultat net, utiliser un cutter le long des joints et rebords. Retirer les étiquettes de contrôle de la qualité.

### Retrait de la palette



Retirer le carton d'accessoires situé à l'intérieur de l'armoire. Défaire ensuite les boulons de fixation.

Mettre l'armoire à cheval sur la palette, et mettre en place les roulettes (ou pieds, selon la fourniture) sur un côté. Basculer légèrement l'armoire, et retirer la palette afin de pouvoir mettre en place les pieds/roulettes restants.

NOTA: Éviter de coucher l'armoire lors du retrait de la palette.

## MISE EN PLACE DES ROULETTES/PIEDS

### Roulettes

Les roulettes (ou pieds) sont emballés avec les clayettes et glissières dans un carton situé à l'intérieur de l'armoire.

### MODELES GROUPE EN HAUT

Ces modèles sont équipés de roulettes 100mm. Les deux roulettes équipées de freins se positionnent en façade.



La mise en place des cales de 15mm (B) sur toutes les roulettes est obligatoire pour pouvoir actionner les freins au pied.

NOTA: BIEN VISSER LES ROULETTES/PIEDS À FOND.

Vérifier que l'armoire est bien de niveau. Si ce n'est pas le cas, les portes ne fermeront pas correctement. Pour les armoires équipées de roulettes, l'ajout de rondelles peut s'imposer si le sol n'est pas de niveau.

### Armoires équipées de pieds réglables 150mm:



Mettre l'armoire de niveau à l'aide des verins réglables situés en partie basse.

### MODELES GROUPE EN BAS



Les modèles groupe en bas sont équipés de verins réglables.

### BACS DE REEVAPORATION



(Fournis avec certains modèles groupe en haut.)

Glisser le bac de réévaporation dans les rails prévus en partie basse de l'armoire. Brancher la prise mâle.

Si les rails sont trop serrés, les écarter légèrement et les resserrer une fois le bac de réévaporation en place.

**Modèles bénéficiant d'un système de dégivrage par gaz chaud:** lorsque ces modèles sont installés dans un endroit à faible température ambiante ou à hygrométrie très élevée, l'adjonction d'une résistance de réévaporation peut s'avérer nécessaire.

## RETRAIT DU CACHE GROUPE



Le cache-groupe est monté sur des clips à ressorts. Pour l'enlever, le tirer vers soi.

Les schémas ci-dessous représentent les cache-groupes des modèles groupe en haut (modèles 'T') et groupe en bas (modèles 'U') ainsi que l'emplacement des clips à ressorts.

## REGLAGE ET DEMONTAGE DES PORTES

En cas d'accès difficile, il est possible de démonter les portes de l'armoire. Si tel est le cas, procéder de la manière suivante:

a) Retirer le cache-groupe suivant les instructions précédentes.



b) Retirer l'écrou de fixation du support de la charnière inférieure (voir ①)

c) Retirer la vis du support de la charnière supérieure (voir ②)

d) Basculer la porte vers soi et la soulever (voir ③).

## AMENAGEMENT INTERIEUR CLAYETTES ET GLISSIERES

### CREMAILLERES DEMONTABLES



Pour démonter les crémaillères, desserrer les écrous noirs situés aux extrémités (voir A). Ceci

permet de dégager la crémaillère de la paroi, tout en laissant les écrous ainsi que les bouchons noirs en place. Tirer brusquement sur les écrous pour les dégager de la crémaillère. Ceci aura pour effet de libérer les bouchons.

NOTA: AVANT D'INSTALLER LES AMENAGEMENTS INTERIEURS, ESSUYER L'INTERIEUR DE L'ARMOIRE AINSI QUE LES CLAYETTES ET GLISSIERES A L'AIDE D'UN CHIFFON IMBIBE D'EAU SAVONNEUSE.

VERIFIER EGALEMENT LA BONNE TENUE DE CREMAILLERES AVANT DE METTRE LES GLISSIERES ET CLAYETTES EN PLACE

### GLISSIERES



Insérer la languette inférieure de la glissière dans l'encoche prévue sur la crémaillère. La soulever légèrement en la redressant et enclencher la languette supérieure.

S'assurer que les glissières sont parallèles et de niveau avant de mettre en place les clayettes.

### CLAYETTES CENTRALES



Les clayettes centrales (en option) reposent sur les glissières derrière le montant central de l'armoire.

## INSTRUCTION D'UTILISATION



Le tableau de commande du meuble assure le maintien et l'affichage de la température de l'air. D'autre part, le tableau de commande a pour fonction de réguler les cycles de dégivrage ainsi que d'assurer les différentes alarmes.

### 1. Indicateurs et principales fonctions

#### 1.1 Significations des voyants

**Afficheur lumineux** – Indique la température de l'air. Indique lorsque le meuble passe en mode de dégivrage, et affiche les valeurs lors de la programmation.

**Température des aliments** – Le voyant s'affiche en orange dès lors que les limites de températures pré-réglées sont dépassées. Dès que la température est de nouveau dans le cadre pré-établi, le voyant s'éteint. Le microprocesseur calcule la température des produits stockés à partir de la température interne au meuble.

**Voyant porte ouverte** – S'allume en rouge dès que la porte reste ouverte trop longtemps (voyant intégré au tableau de commande à partir de Juin 1996). Le voyant s'éteint lorsque les portes sont fermées (modèles à poissons: non disponible).

**Voyant compresseur** – S'allume en vert lorsque le compresseur fonctionne. Le compresseur se met en marche et s'arrête de façon à maintenir la température désirée à l'intérieur du meuble.

**Voyant ventilateur évaporateur** – Lorsque le ventilateur de l'évaporateur fonctionne, le voyant est vert. Le ventilateur de l'évaporateur s'arrête de fonctionner à l'ouverture des portes. Voyant intégré au tableau de commande à partir de Juin 1996 (modèles à poissons: non disponible).

**Voyant nettoyage du condenseur** – S'allume en vert lorsque le temps de nettoyage du condenseur (pré-réglé en usine) est écoulé.

## 1.2 Rôle des touches

### Veille/Marche ( $\frac{1}{2}$ )

- Permet de mettre en marche le tableau de commande et donc le meuble.

### Réglage (SET)

- Permet de modifier les paramètres.

### Baisse point de consigne ( $\nabla$ )

- Permet d'afficher la température des aliments. Lors du réglage des paramètres, permet de diminuer le point de consigne.

### Augmentation point de consigne ( $\triangle$ )

- Permet d'afficher la température de l'évaporateur (modèles négatifs uniquement). Permet également d'enclencher un dégivrage manuel, en complément de la touche dégivrage. Lors du réglage des paramètres, permet d'augmenter le point de consigne.

### Dégivrage ( $\delta\delta$ )

- Permet d'enclencher un dégivrage manuel, en complément de la touche Augmentation du point de consigne.

### Alarme ( $\otimes$ )

- Permet de mettre en sourdine l'alarme durant 10 minutes. Après cette période, l'alarme peut se déclencher de nouveau si le défaut reste présent.

## 2. Réglage de la température

Le meuble doit être branché grâce à l'interrupteur se situant derrière le tableau de commande. Le bouton doit être sur la position "on".

Le voyant affiche 3 tirets "---" alors que le tableau de commande est en veille. Le tableau de commande se met en marche en appuyant sur le bouton marche. Dès lors, la température de l'air s'affiche.

En appuyant sur la touche  $\nabla$  la température des aliments (simulée) s'affiche.

En appuyant sur la touche  $\triangle$  la température de l'évaporateur s'affiche (modèles négatifs uniquement).

### Dégivrage

A intervalles réguliers, un cycle de dégivrage se déclenche automatiquement. Un dégivrage manuel peut être enclenché en appuyant simultanément sur les touches (  $\delta\delta$  ) et (  $\triangle$  ). L'afficheur lumineux affichera alors "DEF" (dégivrage) puis "REC" (rétablissement de la température) durant la période de dégivrage.

## Alarmes

Le tableau de commande est équipé d'une alarme audible intégrée au meuble, ainsi que d'un contact sec pour report d'alarme. L'alarme audible ne se déclenche que lorsque la porte reste ouverte trop longtemps.

En appuyant sur la touche  $\otimes$  l'alarme peut être mise en sourdine durant 10 minutes.

## Défauts

L'afficheur lumineux peut afficher 2 types de défauts:

**PF1:** Défaut sonde de température de l'air

**PF2:** Défaut sonde de température de l'évaporateur

Contactez alors votre frigoriste.

## Réglage des paramètres

**C1 Point de consigne inférieur (°C)** – valeur inférieure de la plage de température de stockage programmée.

**C2 Contrôle alarme de remontée en température (°C)** – température à laquelle l'alarme de remontée en température se déclenche.

**C3 Contrôle alarme de baisse en température (°C)** – température à laquelle l'alarme de baisse en température se déclenche.

**C4 Témoin d'entretien préventif (Heures\*100)** – Temps écoulé depuis le dernier nettoyage du condenseur. Le voyant s'allume lorsque le compteur atteint la valeur 16 (1500 heures). Une fois le nettoyage du condenseur effectué, le compteur des heures de fonctionnement doit être remis à zéro.

La modification des paramètres se fait par une simple succession d'opérations.

Appuyer sur "SET" pour entrer dans le mode programmation: l'afficheur lumineux affiche "SET".

En appuyant de nouveau sur "SET" le tableau affiche alors C1, puis C2 en appuyant de nouveau, et ainsi de suite jusqu'à C4.

Une fois le programme choisi, relâcher la touche "SET".

Les paramètres au sein du programme peuvent être modifiés grâce aux touches  $\nabla$  et  $\triangle$ .

Pour quitter le mode programmation, appuyer simultanément sur  $\triangle$  et sur "SET". Le tableau affiche FIN.

Relâcher les 2 touches: la température de l'air s'affiche à nouveau.

Nota: Pendant la programmation, le maintien en température est assuré.

Durant la programmation, si aucune touche n'est appuyée pendant une période de 2 minutes, le tableau de commande retourne automatiquement en mode de fonctionnement normal.

## Exemple

**Appuyer sur "SET"** Affichage de SET

**Appuyer sur "SET"** Affichage de C1  
(quand SET est enfoncé)

Affichage de la valeur  
(quand SET est relâché)

**Appuyer sur "SET"** Affichage de C2  
(quand SET est enfoncé)

Affichage de la valeur  
(quand SET est relâché)

(En appuyant sur  $\nabla$  ou sur  $\triangle$ , les paramètres baissent ou augmentent).

**Appuyer sur " $\triangle$ "** Affichage de C2  
(quand SET est enfoncé)

Affichage de la nouvelle valeur  
(quand SET est relâché)

**Appuyer sur "SET"** Affichage de C3  
(quand SET est enfoncé)

Affichage de la valeur  
(quand SET est relâché)

**Appuyer sur "SET"** Affichage de C4  
(quand SET est enfoncé)

Affichage de la valeur  
(quand SET est relâché)

(Appuyer encore une fois sur "SET" et le premier paramètre s'affiche de nouveau).

**Appuyer sur "SET"** Affichage de C1  
(quand SET est enfoncé)

Affichage de la valeur  
(quand SET est relâché)

(En cas de besoin, le mode programmation peut être quitté sans enregistrer les nouveaux paramètres.)

**Appuyer simultanément sur "SET" et sur " $\triangle$ "** Affichage de FIN  
(quand les touches sont enfoncées)

Affichage de la  
température de l'air

(quand les touches sont relâchées)

## MISE SOUS TENSION

*NOTA: Si l'armoire a été couchée (ce qui fortement déconseillé), la remettre à la verticale, et attendre au moins une heure avant de procéder à la mise en fonctionnement.*

Raccorder l'armoire en respectant les normes en vigueur relatives aux installations électriques. L'armoire est équipée d'un interrupteur Marche/Arrêt (I/O) (1). Un voyant vert s'allume au tableau de commande lorsqu'il est activé. Attendre que l'armoire ait atteint la température de fonctionnement voulue avant de procéder au chargement des denrées.

## ATTENTION

Il est fortement conseillé d'essuyer l'intérieur de l'armoire à l'aide d'un chiffon imbibé d'eau savonneuse avant de procéder à la mise en route/chargement.

## ENTRETIEN ET NETTOYAGE

*NOTA: Toujours mettre l'appareil hors tension avant d'effectuer un nettoyage.*

**IMPORTANT**

**Entretenus correctement, les matériaux utilisés pour la fabrication de nos produits assurent une grande résistance contre la corrosion.**

**Nous recommandons un nettoyage quotidien à l'aide de:**

**Produit nettoyant ou bactéricide pour inox**

**Lavage à l'eau savonneuse.**

**Toujours nettoyer l'armoire dans le sens du grain de l'inox. Ces consignes conviennent également pour le nettoyage et l'entretien des surfaces en aluminium.**

**NOTA: Ne jamais utiliser des produits d'entretien à base d'ammoniaque/chlore pour nettoyer les parois en aluminium.**

**ATTENTION**

**Les produits d'entretien à forte teneur alcaline ainsi que ceux à base d'eau de javel, de chlore ou d'acide ne conviennent pas pour l'entretien de l'inox. L'utilisation de tels produits pourrait provoquer une corrosion qui n'engagerait nullement la responsabilité du fabricant.**

**Si, pendant le nettoyage de la cuisine, de tels produits devaient entrer en contact avec l'inox, laver immédiatement les parties atteintes à l'aide d'une éponge imbibée d'eau savonneuse et sécher.**

**NE JAMAIS UTILISER: Paille de fer, tampons Scotchbrite, crèmes à récurer ou autres produits abrasifs.**

*Entretien de l'intérieur:* Démontez les aménagements intérieurs au moins une fois par mois et effectuez un nettoyage de l'intérieur de l'armoire (y compris clayettes, crémaillères et glissières) à l'aide d'un bactéricide/désinfectant. Une fois le nettoyage terminé, séchez les parois internes à l'aide d'un chiffon doux et non pelucheux.

Mettez l'armoire sous tension de nouveau, et attendez que la température de stockage soit atteinte avant d'y introduire les denrées. Vérifiez par la même occasion la bonne tenue des grilles de protection des ventilateurs etc.

*Contrôles:* Contrôlez une fois par mois l'état des évacuations, vidanges et bacs égouttoirs et les dégager en cas d'obstruction.

*Condenseur:* Vérifiez une fois par mois le condenseur (situé avec le groupe moteur). Nettoyez à l'aide d'une brosse (non métallique) lorsque le voyant d'entretien préventif s'allume au tableau de commande.

*Joints de porte:* Vérifiez l'état des joints de porte et contrôlez l'étanchéité. Une mauvaise étanchéité

entraîne une consommation d'énergie excessive. Vérifiez par la même occasion le bon fonctionnement des cordons chauffants de porte (modèles en-dessous de 0°C). Les pourtours des portes doivent être légèrement chauds au toucher.

*Roulettes:* Contrôlez une fois par mois la bonne tenue des roulettes.

**DANGER**

Le logement du groupe recèle des éléments chauds et ventilateurs qui peuvent présenter un danger pour un personnel non avisé.

Ne jamais toucher à mains nues les parois d'un réfrigérateur/armoire basse température. Le contact avec le métal froid peut provoquer des brûlures.

Dans l'intérêt des enfants, cassez les fermetures et charnières lors de la mise au rebut d'un réfrigérateur.

*Protection de l'environnement:* demandez à votre frigoriste de récupérer les gaz réfrigérants avant la mise au rebut de votre réfrigérateur.

**DEPANNAGE**

Avant de faire appel à votre frigoriste, en cas de panne:

Vérifiez qu'il n'y a pas eu de coupure de courant (fusibles, faux contact etc.).

Vérifiez l'état du câble d'alimentation.

**CONS  
EIL**

Inscrivez la référence ainsi que le numéro de série de l'appareil sur la couverture de ce document. Ceci nous permettra de mieux vous servir et d'identifier plus facilement les pièces détachées nécessaires à son entretien.



## POSITIONIERUNG/ AUSPACKEN

### POSITIONIERUNG:

**WICHTIG:** Stellen Sie einen minimalen Deckenabstand von 150mm sowie eine ausreichende Belüftung über dem Schrank sicher, um eine einwandfreie Funktion des Schrankes zu gewährleisten.

Wenn möglich stellen Sie den Schrank nicht in der Nähe einer Heizquelle auf.

### AUSPACKEN:

Der Schrank ist auf eine Palette montiert und mit einer Schrumpffolie verpackt. Die Schlüssel sowie den Schaltplan finden Sie in einer Folientasche an der Vorderseite des Schrankes. Entfernen Sie die Schrumpffolie vorsichtig, um eine Beschädigung des Schrankes zu vermeiden.

Entfernen Sie die Schutzfolie vom Schrankgehäuse.

### ENTFERNEN DER PALETTE:

Entfernen Sie das Zubehör aus dem Schrank.

Lösen Sie die Befestigungsbolzen, die den Schrank auf der Palette sichern.



Schieben Sie den Schrank nach hinten über die Palette und montieren Sie die hinteren Stellfüße.

Um die vorderen Stellfüße zu montieren, kippen Sie den Schrank leicht nach hinten und ziehen die Palette weg.

Achten Sie darauf, daß der Abflußstutzen, der sich bei einigen 'T' Modellen unten befindet, nicht beschädigt wird.

Hat der Schrank beim Transport oder bei der Montage der Stellfüße gelegen, muß nach dem Aufrichten des Schrankes 1 Std. gewartet werden, bis der Schrank in Betrieb genommen wird.

## STELLFÜßE/ROLLEN

Diese befinden sich als Zubehör im Schrank.

### 'T' MODELLE



Diese können mit 100mm Rollen geliefert werden. Die vorderen Rollen sind feststellbar. Um Schwierigkeiten beim Benutzen der fußbedienbaren Bremsen zu vermeiden, muß die 15mm Unterlegscheibe bei allen Rollen zwischen Rolle und Schrankboden gelegt werden.

**ACHTEN SIE DARAUF, DAß ROLLEN UND STELLFÜßE FEST ANGEZOGEN SIND, UM EINEN SICHEREN STAND ZU GEWÄHRLEISTEN.**

Überprüfen Sie, ob der Schrank in Waage steht. Ist dies nicht der Fall, kann es sein, daß die Türen nicht richtig schließen. Um den Schrank in Waage zu stellen, richten Sie ihn wie folgt aus:

### Schranke mit Rollen:

Legen Sie Unterlegscheiben zwischen Rolle und Schrankboden.

### Schranke mit 150mm Stellfüßen:



Hier lassen sich Unebenheiten durch die Stellfüße ausgleichen.

### 'U' MODELLE



'U' Modelle werden mit kleinen Stellfüßen geliefert.

### VERDUNSTERSCHALE

(einige 'T' Modelle)



Schieben Sie die Verdunsterschale in die Schienen am Schrankboden und stecken Sie den Stecker ein.

Sind die Schienen zu fest, lösen Sie diese bitte und schieben dann die Verdunsterschale ein (Schienen danach wieder befestigen).

*Schränke mit Heißgasabtauung: Stehen Schränke in Räumen mit einer sehr niedrigen Umgebungstemperatur oder einer hohen Luftfeuchte, ist es möglich, eine Zusatzheizung zu installieren, um die Heißgasverdunstung zu unterstützen.*

## MASCHINENRAUM- BLENDE

### ENTFERNEN:



Die Maschinenraumblende ist mit Clipsen befestigt. Um sie zu lösen, ziehen Sie sie nur nach vorne.

*Die Zeichnung zeigt die Federclipse im Detail sowie ihre Position.*

## TÜR EN

### AUSBAU/JUSTIERUNG

Ist zum Eintransport nicht genügend Platz vorhanden, ist es möglich, die Türen auszubauen. Bei 'T' Modellen ist es nötig, die Maschinenraumblende zu entfernen, um sich Zugang zu den oberen Scharnieren zu verschaffen.

a) Entfernen Sie die Maschinenraumblende wie in 6. beschrieben.



b) Entfernen Sie die Mutter vom unteren Scharnierhalter (siehe ①).

c) Entfernen Sie den Bolzen vom oberen Scharnierhalter (siehe ②).

d) Nun kann die Tür entfernt werden. Dazu ziehen Sie die Tür oben leicht nach vorne und heben sie dann aus dem unteren Scharnierhalter (siehe ③).

Justierung/Einstellung der Schließfeder: Die Schließfeder befindet sich unten in der Tür und ist werksseitig eingestellt. Sollte eine Nacheinstellung nötig sein, drehen Sie die Sechskantmutter der Schließfeder im Uhrzeigersinn, bis sie fest ist und lösen Sie sie dann eine halbe Umdrehung.

## ROSTE/STELLEISTEN/ AUFLAGESCHIENEN

### ABNEHMBARE STELLEISTEN:



Um die Stelleiste abnehmen zu können, lösen Sie die obere und untere Befestigungsschraube.

Dann läßt sich die Stelleiste nach innen herausnehmen (siehe A). Die Endkappen können ebenfalls entfernt werden, falls dies zur Reinigung notwendig ist (siehe B).

**VOR DER INSTALLATION DER STELLEISTEN SOLLTE DAS GERÄTEINNERE GEREINIGT WERDEN.**

**ACHTEN SIE DARAUF, DASS DIE BEFESTIGUNGSSCHRAUBEN FEST ANGEZOGEN WERDEN.**

### AUFLAGESCHIENEN/STELLEISTE



Befestigen Sie die Auflegeschiene wie auf Bild 9 beschrieben. Achten Sie darauf,

daß die Schienen waagrecht montiert werden.

### ZWISCHENROST

Das Zwischenrost, (wenn vorhanden), wird hinter dem Türholm zwischen den beiden normalen Rosten gehangen. Dies ist nur bei den zweitürigen Modellen möglich.



Maximale Belastung der Roste bei allen Modellen 35kg.

## TEMPERATURREGLER



Der Temperaturregler hält die gewünschte Lufttemperatur im Inneren des Gerätes, welche normalerweise auf dem Display angezeigt wird.

Der Temperaturregler führt auch die automatische Abtauung durch und verrichtet unterschiedliche Alarmfunktionen.

### 1. Schalttafelanzeigen und -tasten

#### 1.1 Anzeigen

**Display** – zeigt im Normalfall die Innenlufttemperatur in °C, gibt den Status während des Abtauens und die Einstellungswerte während der Temperaturreglereinstellung bekannt.

**Lebensmitteltemperaturanzeige** – leuchtet gelb, wenn die Temperatur des eingelagerten Produkts außerhalb der vorher bestimmten Alarngrenze liegt.

**Anzeige für Tür offen** – leuchtet rot, nachdem der Alarmzeitraum für die Anzeige offene Tür verstrichen ist. Erlischt, wenn die Temperatur der gelagerten Ware wieder innerhalb der Alarngrenze liegt. (Gilt nur für Modelle mit Türkontaktschalter).

**Anzeige Kompressorbetrieb** – leuchtet grün, während der Kompressor in Betrieb ist. Der Kompressor schaltet sich jeweils ein und aus, um die gewünschte Innentemperatur aufrecht zu erhalten.

**Anzeige Verdampferventilator** – leuchtet grün, während der Verdampferventilator läuft. Bei geöffneter Tür stoppt der Betrieb des Ventilators (bei Modellen mit Türkontaktschalter).

**Anzeige Verflüssigerreinigung** – leuchtet grün nach Erreichen einer bestimmten Kompressorlaufzeit auf, um anzuzeigen, daß der Verflüssiger gereinigt werden soll.

## 1.2 Schaltasten

### Ein/Aus-Taste ( $\frac{1}{2}$ )

schaltet dem Temperaturregler zwischen dem 'Sleep' modus und dem Einmodus.

### Set Taste (SET)

zum Einstellen des Parameters für den Benutzer.

### 'Nieder-Taste' ( $\nabla$ )

während des normalen Betriebs wird beim Drücken dieser Taste die Temperatur der gelagerten Ware auf dem Display angezeigt. Durch Drücken der Taste während des Parametereinstellens wird der Wert gemindert.

### 'Hoch-Taste' ( $\triangle$ )

während des normalen Betriebs wird beim Drücken dieser Taste die Verdampfer Temperatur auf dem Display angezeigt. In Verbindung mit der Abtautaste wird die manuelle Abtauung eingeleitet. Drückt man die Taste während des Parametereinstellens, steigt der Wert der Einstellung.

### Abtautaste ( $\delta\delta$ )

drückt man diese Taste in Verbindung mit der 'Hoch'-Taste, wird die manuelle Abtauung eingeleitet.

### Alarmabschaltaste ( $\otimes$ )

schaltet den akustischen Alarm für einen Zeitraum von 10 Minuten ab. Sollte nach 10 Minuten der Grund des Alarms nicht behoben sein, ertönt der Alarm erneut.

## 2. Temperaturreglerfunktionen

Sobald Spannung an den Schrank gelegt wird, zeigt das Display '—' an. Beim Einschalten des Schrankes mit der Ein/Aus-Taste erscheint die momentane Schranktemperatur im Display.

Drückt man die '  $\frac{1}{2}$  ' zu diesem Zeitpunkt, wird vom Schrank das Vorhandensein von Ware simuliert und die simulierte Produkttemperatur im Display angezeigt.

Durch Drücken der '  $\triangle$  ' wird die Verdampfer Temperatur im Display angezeigt (Gilt nicht für Schränke mit Betriebstemperatur über 0°C).

### Abtaufunktion

Die Abtauung wird automatisch in regelmäßigen Abständen durch den Temperaturregler eingeleitet, kann aber auch manuell durch Drücken und Festhalten der Abtautaste und Drücken der '  $\delta\delta$  ' durchgeführt werden. Während der Abtauung erscheint 'DEF' gefolgt von 'REC' im Display.

### Alarmfunktion

Der Temperaturregler besitzt außer einem internen akustischen Alarm auch einen externen Alarmrelaiskontakt für eine externe Alarmanlage. Er ist normalerweise so voreingestellt, daß nur unter '  $\otimes$  '-Alarm ein akustischer Alarm ertönt.

Der akustische Alarm wird durch Drücken der Alarmabschaltaste für 10 Minuten abgeschaltet.

### Fehlermeldungen

Es besteht die Möglichkeit, daß das Display einen der nachfolgenden Fehlercodes anzeigt:

**PF1** – Lufttemperaturfühler defekt

**PF2** – Verdampfer Temperaturfühler defekt

Im Falle einer solchen Displayanzeige ist ein Techniker kontaktieren.

### Einstellparameter für den Benutzer

**C1** Eingestellte Sollwerttemperatur

**C2** Alarmeinstellung für höchste Warentemperatur

**C3** Alarmeinstellung für niedrigste Warentemperatur

**C4** Verflüssigerreinigungsanzeige (Stunden \*100)

Zeit, die verstrichen ist, seit der Verflüssiger das letzte Mal gereinigt wurde. Die Verflüssigerreinigungsanzeige leuchtet auf, wenn der Wert 16 erreicht wird (1500 Std). Nachdem der Verflüssiger gereinigt wurde, muß der Wert auf 0 zurückgestellt werden.

Zugang zu den Einstellparametern erfolgt durch Eingabe einfacher Tastenkombinationen.

Durch Drücken der *SET-Taste* gelangt man in den Programmiermodus, das Display zeigt 'SET' an.

Weitere Benutzungen der *SET-Taste* veranlaßt das Display, durch die Benutzerparameter C1 bis C4 zu springen. Während die *SET-Taste* gedrückt ist, wird die Parameternummer, beim Freigeben der Taste der Wert des Parameters angezeigt. Der parameterwert kann durch die '  $\triangle$  ' oder '  $\nabla$  '-Tasten verändert werden.

Um aus dem Programmiermodus der Parametereinstellung heraus- und in den Normalbetrieb zu gelangen, muß die '  $\triangle$  '-Taste in Verbindung mit der *SET-Taste* gedrückt werden. Werden beide Tasten zusammen gedrückt, erscheint im Display *FIN*. Beim Freigeben der Tasten schaltet der Regler automatisch zum Normalbetrieb um und das Display zeigt die

Innenlufttemperatur an.

Bitte beachten Sie, daß während der Temperaturregler im Programmiermodus ist, die völlige Kontrolle des Kühlsystems noch weiter beibehalten wird.

Bitte beachten Sie weiterhin, falls während des Programmiermodus in einem Zeitraum von 2 Minuten keine Taste betätigt wird, die Steuerung in den normalen Betrieb zurückkehrt.

### Beispiel

**Drücken Sie «SET»** Das Display zeigt *SET* an

**Drücken Sie «SET»** Das Display zeigt *C1* an (während Sie die «SET» Taste gedrückt halten)

Das Display zeigt *Wert* an (wenn Sie die «SET» Taste wieder freigeben)

**Drücken Sie «SET»** Das Display zeigt *C2* (während Sie die «SET» Taste gedrückt halten)

Das Display zeigt *Wert* an (wenn Sie die «SET» Taste wieder freigeben)

(Drücken der «HOCH» oder «NIEDER» Taste bewirkt eine Erhöhung oder Verminderung des Parameterwertes.)

### Drücken Sie

**«HOCH»** Das Display zeigt *C2* an (während Sie die «HOCH» Taste gedrückt halten)

Das Display zeigt *neuen Wert* an

(wenn Sie die «HOCH» Taste wieder freigeben)

**Drücken Sie «SET»** Das Display zeigt *C3* an (während Sie die «SET» Taste gedrückt halten)

Das Display zeigt *Wert* an (wenn Sie die «SET» Taste wieder freigeben)

**Drücken Sie «SET»** Das Display zeigt *C4* an (während Sie die «SET» Taste gedrückt halten)

Das Display zeigt *Wert* an (wenn Sie die «SET» Taste wieder freigeben)

(Beim Drücken der «SET» Taste nach dem letzten Parameter kehrt die Displayanzeige zum ersten Parameter zurück.)

**Drücken Sie «SET»** Das Display zeigt *C1* an (während Sie die «SET» Taste gedrückt halten)

Das Display zeigt *Wert* an (wenn Sie die «SET» Taste wieder freigeben)

(Falls erwünscht, kann der Regler dazu veranlaßt werden, den Programmiermodus zu verlassen und dabei alle neuen Parameterwerte zu speichern.)

### Drücken Sie «SET» und «HOCH» gleichzeitig

Das Display zeigt *FIN* an (während Sie die beiden Tasten gedrückt halten)

Das Display zeigt *die Lufttemperatur* an

(wenn Sie die beide Tasten wieder freigeben)

## INBETRIEBNAHME

**ACHTUNG:** Hat der Schrank vor der Inbetriebnahme gelegen, muß er 60 min. stehen, bevor er eingeschaltet wird.

Stecken Sie den Stecker ein und schalten Sie den Schrank ein. Warten Sie mit der Beschickung, bis der Schrank auf Betriebstemperatur gekommen ist.

Reinigen Sie den Schrank innen, bevor Sie ihn beschicken.

## REINIGUNG UND WARTUNG

**ACHTUNG: Vor Reinigungs- und Wartungsarbeiten muß der Schrank vom Netz getrennt werden.**

### WICHTIG: REINIGUNGSHINWEISE

**Damit der Schrank sein ansprechendes Äußeres behält empfehlen wir eine tägliche Reinigung mit:**

**a. einem Sprühreiniger, speziell für Edelstahloberflächen.**

**b. heißer Seifenlauge und einem nicht kratzenden Lappen.**

**Reinigen Sie immer in Schliffrichtung des Bleches.**

**Diese Anweisungen gelten auch für Aluminium-Schränke. Benutzen Sie keine ammoniakhaltigen Reiniger bei Aluminium-Schränken!**

### WARNUNG:

**Hochalkalische Reinigungsmittel oder solche, die Bleichmittel oder Säuren enthalten, sind ebenso wie chlorhaltige nicht zur Reinigung von Edelstahloberflächen geeignet. Diese Reinigungsmittel greifen die Edelstahloberfläche an.**

**Sollte ein Schrank mit den oben genannten Reinigungsmitteln in Kontakt gekommen sein, reinigen Sie die Stelle SOFORT mit einer milden Seitenlauge und reiben Sie die Stelle trocken!**

**Benutzen Sie niemals Scheuerpulver oder Stahlwolle!**

**Grobe Verunreinigungen können mit einer feinen Politur oder einem 'Scotchbrite' in Schliffrichtung entfernt werden.**

Reinigung innen und Reinigung des Zubehörs: Leeren Sie den Schrank und entfernen Sie das Zubehör. Reinigen Sie den Schrank wie oben beschrieben und trocknen Sie ihn gründlich. Reinigen Sie Roste, Stelleisten und Auflageschienen. Die Reinigung sollte mindestens einmal im Monat erfolgen. Lassen Sie den Schrank vor dem Beschicken auf Betriebstemperatur kommen.

Für die Zeit der Reinigung müssen die Lebensmittel in einem anderen Schrank gekühlt werden.

Verschüttetes muß sofort entfernt werden.

Abflüsse, Verdunsterschalen (wenn montiert): Überprüfen Sie den Abfluß und die Verdunsterschale einmal im Monat und spülen Sie sie, wenn nötig, mit warmen Wasser durch.

Verflüssiger (befindet sich im Maschinenteil):

Reinigen Sie den Verflüssiger mit einem Handfeger oder blasen Sie ihn mit Druckluft aus, wenn die grüne Verflüssigerreinigungsanzeige leuchtet. Nach dem Reinigen müssen Sie die Anzeige rückstellen (wie in 18. beschrieben). Eine Überprüfung des Verflüssigers außerhalb der angezeigten Intervalle ist ratsam.

**ACHTUNG:** Schalten Sie den Schrank aus, bevor Sie den Verflüssiger reinigen.

**Türdichtung:** Reinigen Sie die Dichtung monatlich mit einer Seifenlauge. Ist die Dichtung beschädigt, muß sie ausgetauscht werden. Dazu ziehen Sie die defekte Dichtung einfach aus der Befestigungsschiene heraus. Die neue Dichtung wird dann in den Rahmen gesteckt. Dies kann unter vorsichtiger Zuhilfenahme eines Gummihammers geschehen. Ebenso sollte min. einmal im Monat die Türrahmenheizung überprüft werden (bei Schränken mit einer Betriebstemperatur unter 0°C). Der Türrahmen muß warm und eisfrei sein.

**Rollen:** Überprüfen Sie einmal im Monat die Funktion der Bremsen.

## UNFALLVERHÜTUNG

Berühren Sie nie Rohrleitungen und Ventilatoren, während der Schrank in Betrieb ist. Achten Sie darauf, daß die Schutzgitter immer richtig befestigt sind.

Berühren Sie die Innenwände der Schränke nie mit nassen Händen, die Haut könnte anfrieren.

Maximale Belastung der Roste 35kg.

Denken Sie beim Entsorgen eines alten Schränkes an die umweltgerechte Entsorgung. Wenden Sie sich an einen Kältefachbetrieb oder an FOSTER-Refrigerator, Emmerich. Entfernen Sie zum Entsorgen Türschlösser und Scharniere, damit sich keine spielenden Kinder einschließen können (Erstickungsgefahr!).

## ERSTE FEHLERSUCHE

Kontrollieren Sie die folgenden Punkte, bevor Sie den Service alarmieren.

- Spannung nicht in Ordnung.
- Stecker nicht richtig eingesteckt.
- Sicherung raus.

Wenn ein Serviceeinsatz notwendig ist, geben Sie bitte die folgenden

Daten an.

Seriennummer E.....

Gerätetyp

Die Angaben finden Sie auf dem Typenschild (befindet sich an der Türinnenseite oder im Maschinenfach).

## Foster European Operations

### France

Foster Refrigerator France SA  
Tel: 33 (1) 34 302222. Fax: 33 (1) 30 376874.

### Germany

Foster Refrigerator GmbH  
Tel: 49 (0202) 643030. Fax: 49 (0202) 643044.

### Austria

Foster Refrigerator Austria  
Tel: 43 (1) 815 1511. Fax: 43 (1) 813 29 36.

### Spain/Portugal

Foster Refrigerator (Iberica)  
Tel: 34 (43) 463222. Fax: 34 (43) 463246.

### Holland

Hobart Foster Holland BV  
Tel: 31 (348) 433 331. Fax: 31 (348) 430 117.

### Belgium

Hobart Foster Belgium NV  
Tel: 32 (16) 606040. Fax: 32 (16) 605988.

### Denmark

Hobart Foster Danmark A/S  
Tel: 45 (98) 141199. Fax: 45 (98) 141703.

### Norway

Hobart Foster Norge A/S  
Tel: 47 (67) 533878. Fax: 47 (67) 536742.

### Sweden

Hobart Foster Sverige AB  
Tel: 46 (86) 280030. Fax: 46 (86) 280024.

## PMI FEG Offices

### Asia/Pacific

PMI Food Equipment Group (Hong Kong) Ltd  
Tel: (852) 3419315. Fax: (852) 3413914.

### Middle East

PMI Food Equipment Group (Dubai)  
Tel: 971 (4) 497393. Fax: 971 (4) 448232.

## IMPORTANT:

### To the installer

Installation of these units should be carried out by a competent person and the appropriate codes of practice adhered to, thus ensuring safe installation.

### To the user

**Do not discard this document:** it contains important guidelines on loading, cleaning and maintenance and should be kept for reference.

## Foster Refrigerator Group of Companies,

Oldmedow Road, King's Lynn,  
Norfolk, PE30 4JU  
England

Tel: 01553 691122

Fax: 01553 691447

Telex: 817550



# Operating Instructions

- GB** Operating Instructions
- F** Mode d'emploi
- D** Betriebsanleitung