



GUARANTEEING YOU THE GREENEST REFRIGERATION AVAILABLE



Xtra Cabinets FXT602H & L FXT1352H & L with AT1-5 & AT2-5 Controllers Wiring Diagrams

Wiring Diagrams



ISO 14001



ISO 9001

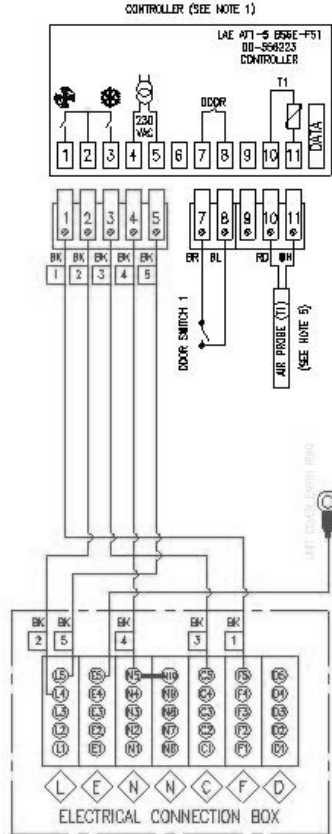
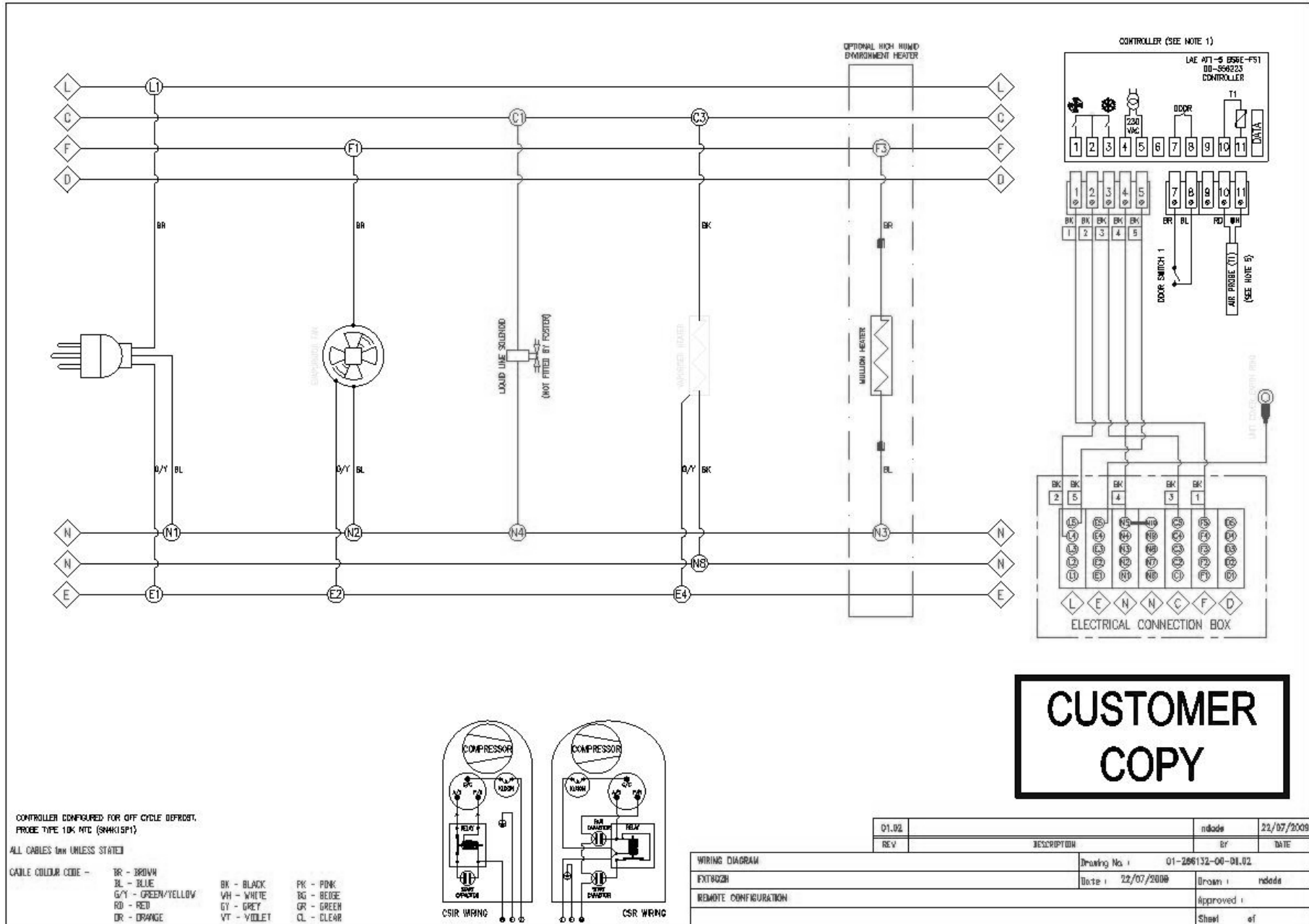


Contents

FXT602H Diagrams	
FXT602H Remote Configuration	2
FXT602H Integral Configuration- with the optional unit cover lights	3
FXT602H Remote Configuration- with the optional unit cover lights	4
FXT602H Integral Configuration – with the optional interior lights	5
FXT602H Remote Configuration – with the optional interior lights	6
FXT602L Diagrams	
FXT602L Remote Configuration	7
FXT602L Integral Configuration – with the optional unit cover lights	8
FXT602L Remote Configuration – with the optional unit cover lights	9
FXT1352H Diagrams	
FXT1352H Remote Configuration	10
FXT1352H Integral Configuration – with the optional unit cover lights	11
FXT1352H Remote Configuration – with the optional unit cover lights	12
FXT1352H Integral Configuration – with the optional interior lights	13
FXT1352H Remote Configuration – with the optional interior lights	14
FXT1352L Diagrams	
FXT1352L Remote Configuration	15
FXT1352L Integral Configuration – with the optional unit cover lights	16
FXT1352L Remote Configuration – with the optional unit cover lights	17

This manual shows all remaining wiring diagrams not included in the FXT602H and L, FXT1352H and L models with the AT1-5 and AT2-5 controller service manual.

FXT602H – Remote Configuration



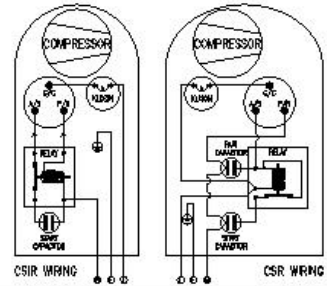
CUSTOMER COPY

CONTROLLER CONFIGURED FOR OFF CYCLE DEFOST.
 PROBE TYPE 10K NTD (SN4K15P1)

ALL CABLES 1mm UNLESS STATED

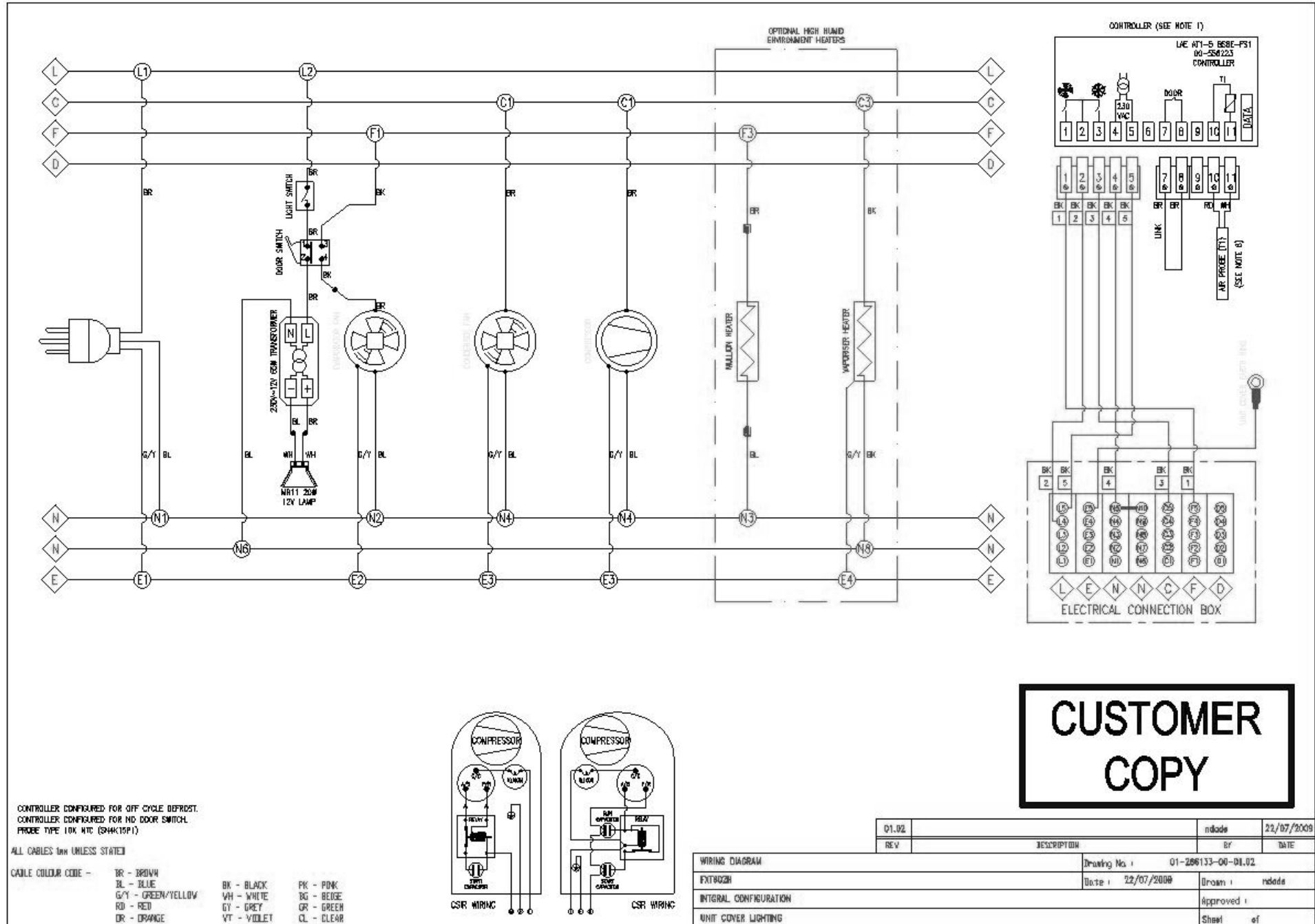
CABLE COLOUR CODE -

BR - BROWN	BK - BLACK	PK - PINK
BL - BLUE	WH - WHITE	BG - BEIGE
G/Y - GREEN/YELLOW	GY - GREY	GR - GREEN
RD - RED	VT - VIOLET	CL - CLEAR
OR - ORANGE		



01.02		revised	22/07/2008
REV	DESCRIPTION	BY	DATE
	WIRING DIAGRAM	Drawn No :	01-286132-00-01.02
	FXT602H	Date :	22/07/2008
	REMOTE CONFIGURATION	Drawn :	revised
		Approved :	
		Sheet	of

FXT602H – Integral Configuration with the optional unit cover lights

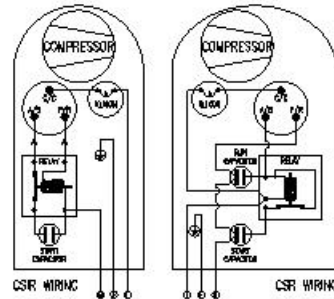


CONTROLLER CONFIGURED FOR OFF CYCLE DEFRST.
CONTROLLER CONFIGURED FOR NO DOOR SWITCH.
PROBE TYPE 10X MTC (SHAK10P1)

ALL CABLES 1mm UNLESS STATED

CABLE COLOUR CODE -

BR - BROWN	BK - BLACK	PK - PINK
BL - BLUE	BG - BEIGE	GR - GREEN
G/Y - GREEN/YELLOW	GY - GREY	CL - CLEAR
RD - RED	VT - VIOLET	
DR - ORANGE		

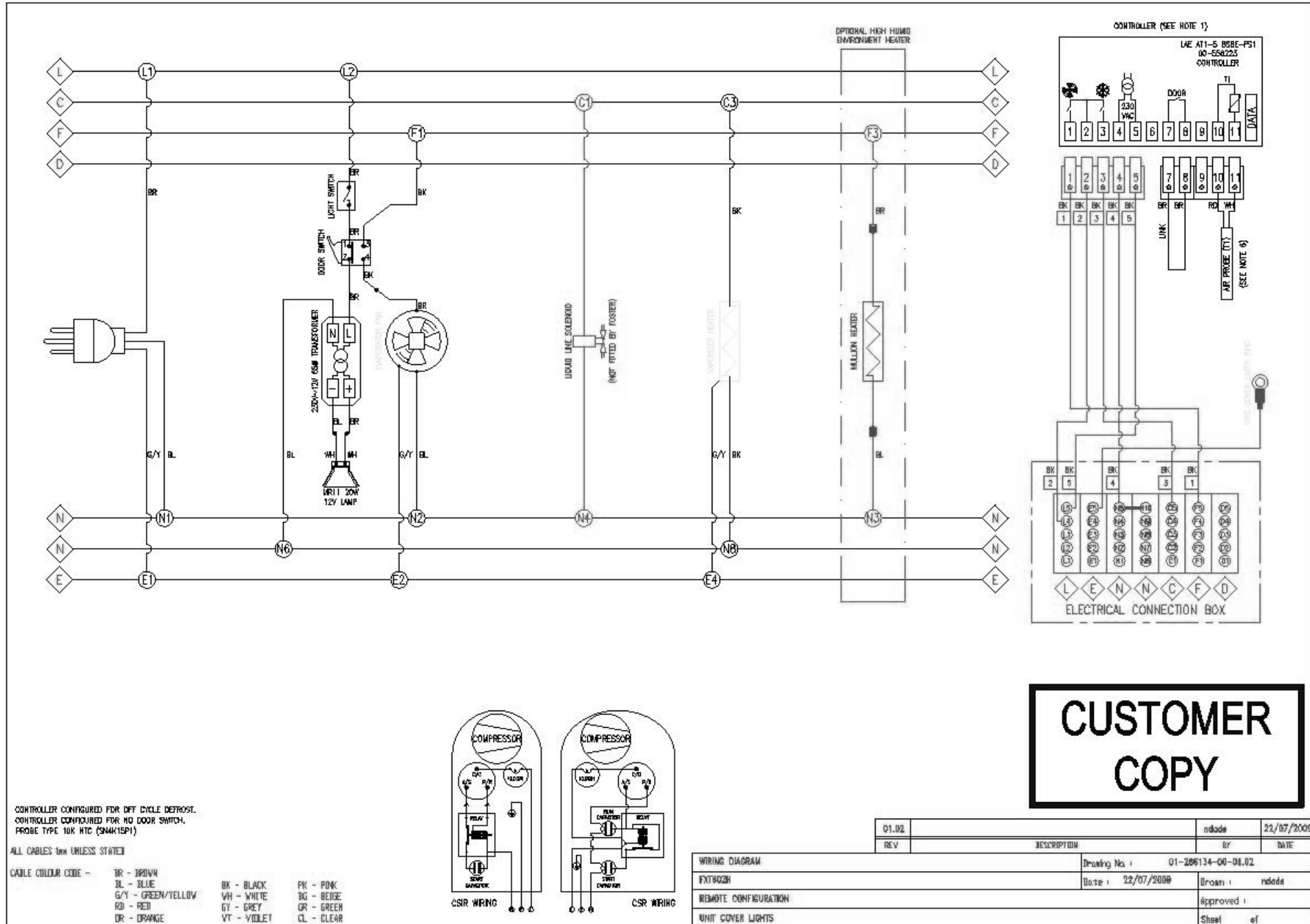


CUSTOMER COPY

REV	DESCRIPTION	INDCODE	DATE
01.02			22/07/2009

WIRING DIAGRAM	Drawing No :	01-286133-00-01.02
FXT602H	Date :	22/07/2009
INTEGRAL CONFIGURATION	Drawn :	ndada
UNIT COVER LIGHTING	Approved :	
	Sheet	of

FXT602H – Remote Configuration with the optional unit cover lights

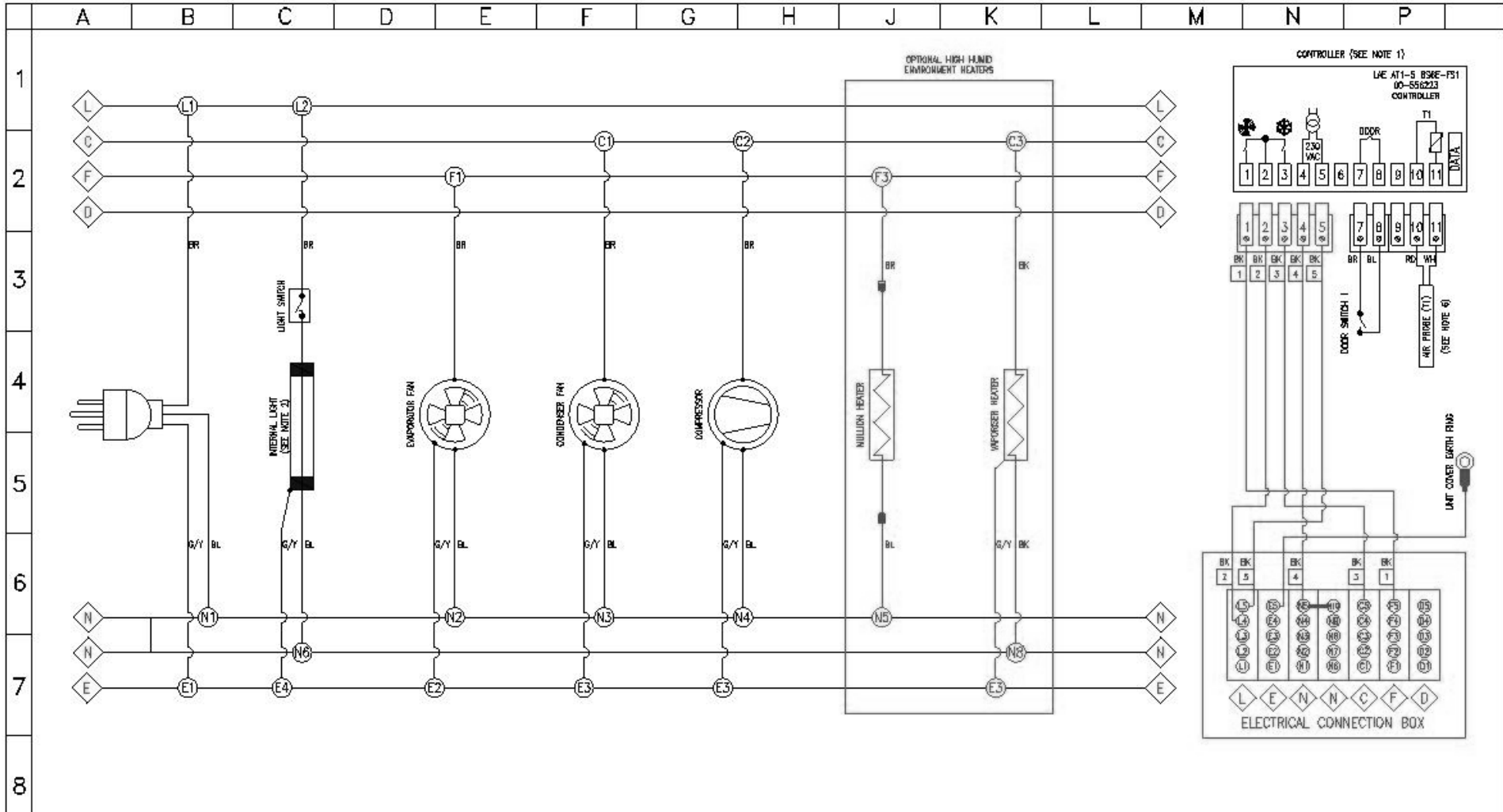


CUSTOMER COPY

01.02		ndate	22/07/2009
REV	DESCRIPTION	BY	DATE

WIRING DIAGRAM	Drawing No :	01-286134-00-01.02
FXT602H	Date :	22/07/2009
REMOTE CONFIGURATION	Approved :	
UNIT COVER LIGHTS	Sheet	of

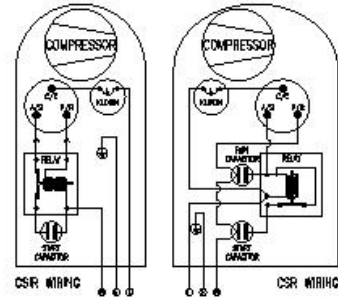
FXT602H – Integral Configuration with the optional interior lights



- NOTES:
1. CONTROLLER CONFIGURED FOR OFF CYCLE DEFOST.
 2. LIGHT CONFIGURED INDEPENDENTLY OF DOOR SWITCH.
 3. ALL CABLE 1.0mm² UNLESS OTHERWISE STATED.
 4. PLUG & SOCKET CONNECTION —
 5. CABLE COLOUR CODE:

BR - BROWN	RD - RED	GY - GREY
BL - BLUE	BLK - BLACK	VT - VIOLET
G/Y - GREEN / YELLOW	WH - WHITE	OR - ORANGE

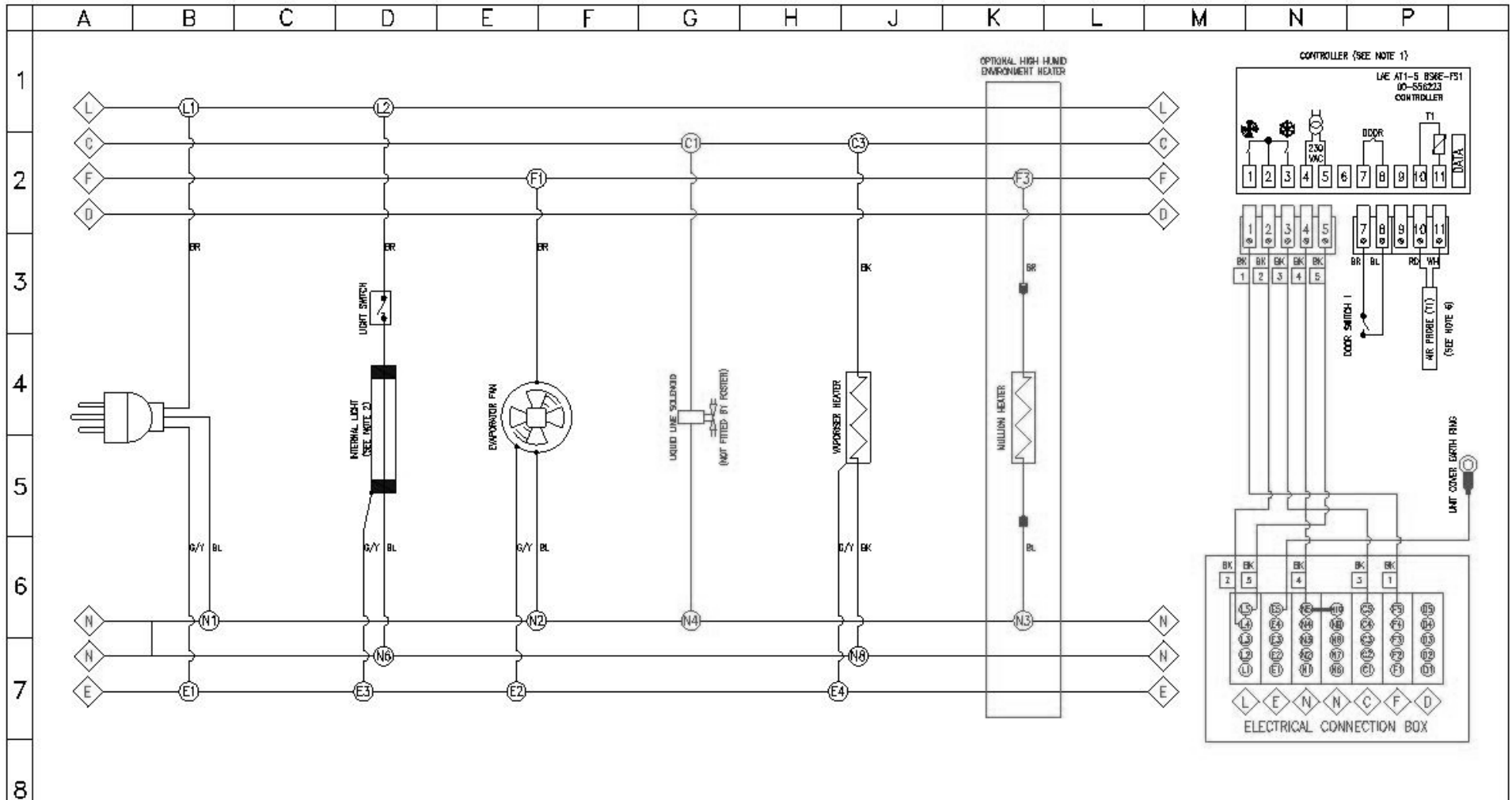
 (ALL EARTH WIRING TO BE GREEN/YELLOW)
 6. PRDRE TYPE 10K MTC (SMAK15P1)



CUSTOMER COPY

	FOSTER REFRIGERATOR (U.K) LTD OLDMEDOW ROAD KING'S LYNN NORFOLK PE30 4JU	DRAWING NO. - 01-267337-00-01 SHEET 1 OF 1 DRAWN - EDLIE - MTS NAD INTS 11/01/10 CHECKED BY J22222222 VHS 07-07-00-C FORM NO. VHS -
	TITLE - WIRING DIAGRAM FXT 602H HIGH TEMPERATURE MODEL INTEGRAL CONFIGURATION WITH INTERNAL LIGHT	REV. DESCRIPTION BY DATE

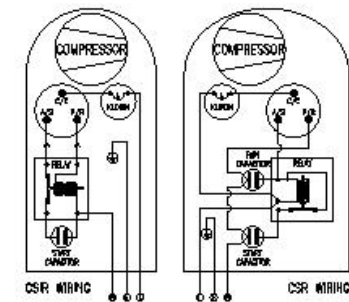
FXT602H – Remote Configuration with the optional interior lights



- NOTES:
1. CONTROLLER CONFIGURED FOR OFF CYCLE DEFROST.
 2. LIGHT CONFIGURED INDEPENDENTLY OF DOOR SWITCH.
 3. ALL CABLE 1.0mm² UNLESS OTHERWISE STATED.
 4. PLUG & SOCKET CONNECTION —
 5. CABLE COLOUR CODE:

BR - BROWN	RD - RED	GY - GREY
BL - BLUE	BK - BLACK	VT - VIOLET
G/Y - GREEN / YELLOW	WH - WHITE	OR - ORANGE

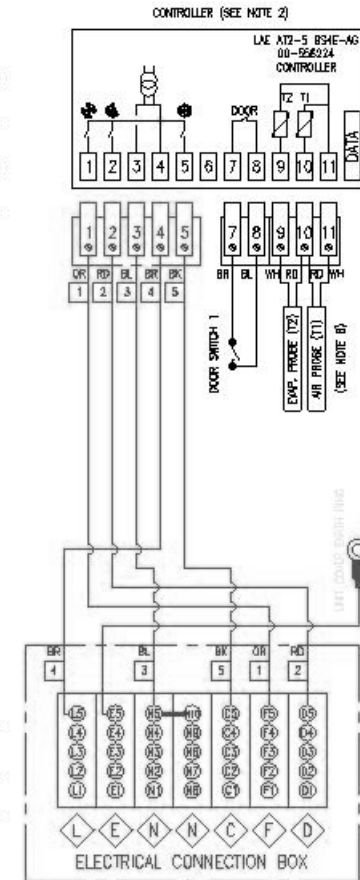
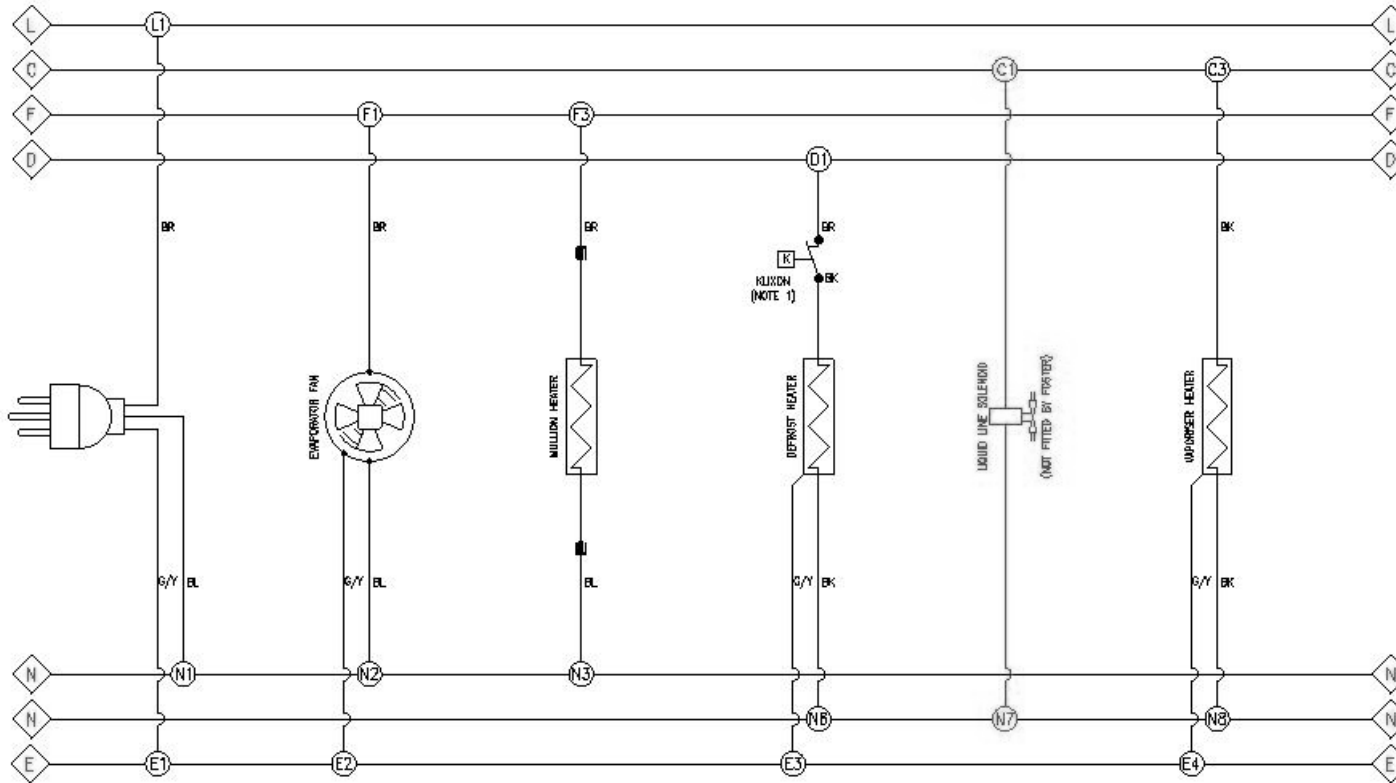
 (ALL EXCEPT WIRING TO BE GREEN/YELLOW)
 6. PROBE TYPE 10K WTC (SMAK15P1)



CUSTOMER COPY

	FOSTER REFRIGERATOR (U.K) LTD OLDMEADOW ROAD KING'S LYNN NORFOLK PE30 4JU	TITLE - WIRING DIAGRAM FXT 602H HIGH TEMPERATURE MODEL REMOTE CONFIGURATION WITH INTERNAL LIGHT	DRAWING NO. - 01-267338-00-01 SHEET 1 OF 1 DRAWN BY - HAD JHTS CHECKED BY - JESSIE WATSON DATE - 11/01/10						
	<table border="1" style="width: 100%; border-collapse: collapse;"> <thead> <tr> <th>REV</th> <th>DESCRIPTION</th> <th>BY</th> <th>DATE</th> </tr> </thead> <tbody> <tr> <td> </td> <td> </td> <td> </td> <td> </td> </tr> </tbody> </table>	REV	DESCRIPTION	BY	DATE				
REV	DESCRIPTION	BY	DATE						

FXT602L – Remote Configuration



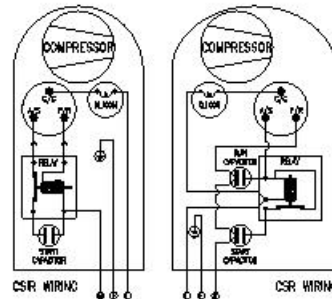
CUSTOMER COPY

KUXDH 2 NORMALLY CLOSED TYPE - OPENS 20°C / CLOSSES 5°C FITTED TO EVAPORATOR COIL END FLATE.
 CONTROLLER CONFIGURED FOR ELECTRIC DEFROST.
 PROBES BOTH TYPE 10K NTC (S14K15P1/2)

ALL CABLES 1mm UNLESS STATED

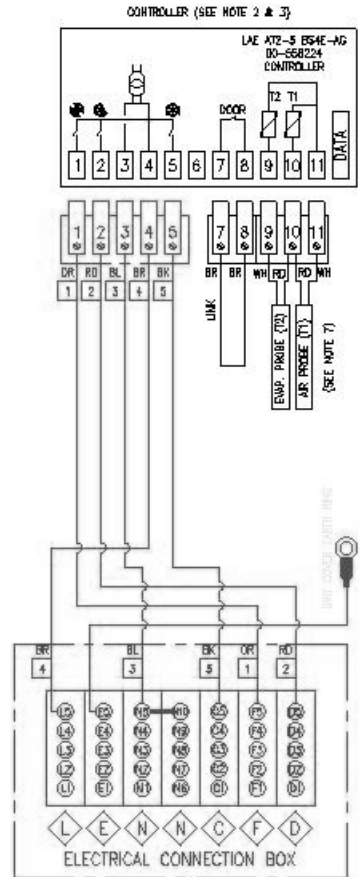
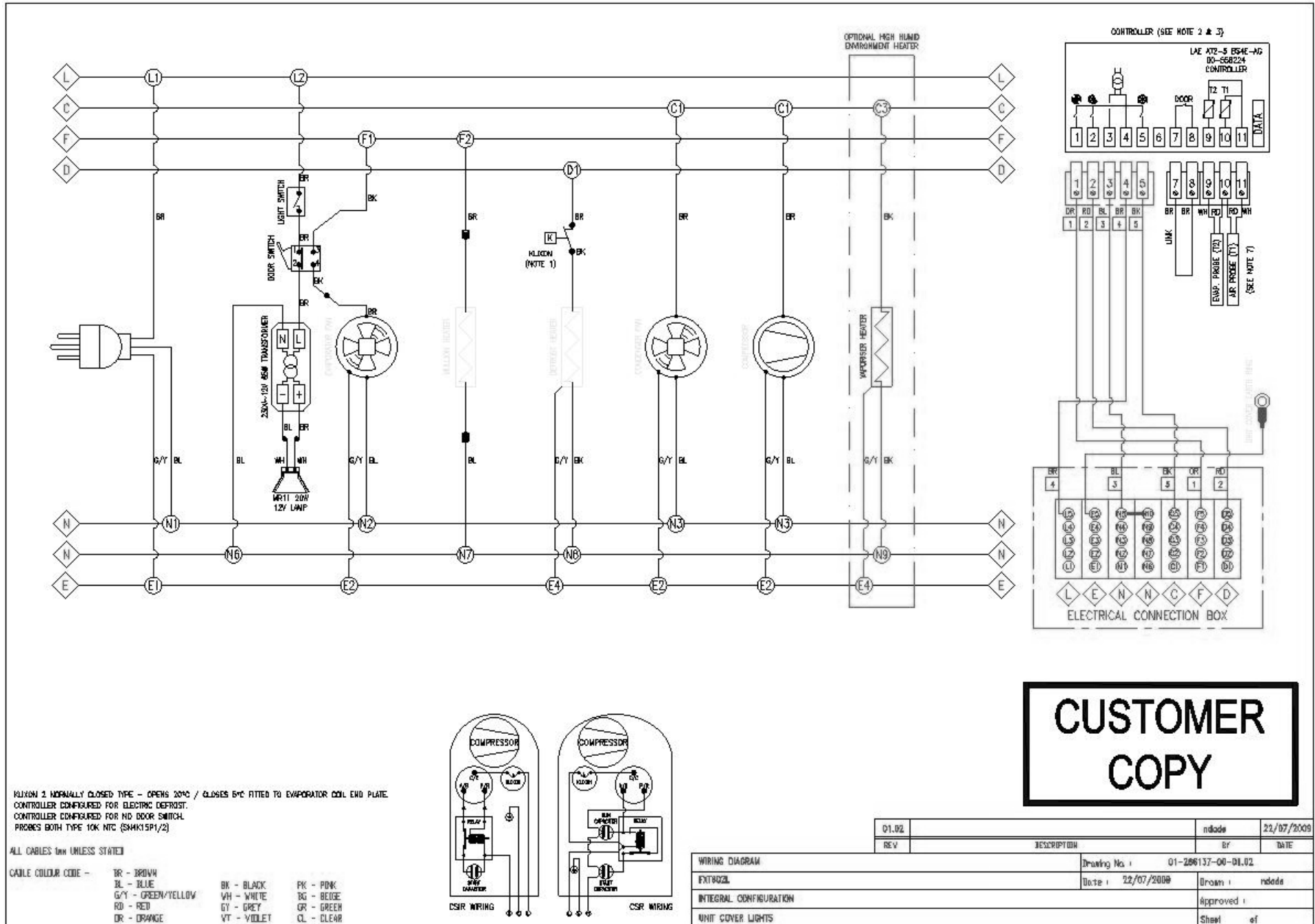
CABLE COLOUR CODE -

BR - BROWN	BK - BLACK	PK - PINK
BL - BLUE	WH - WHITE	BG - BEIGE
G/Y - GREEN/YELLOW	GY - GREY	GR - GREEN
RD - RED	VT - VIOLET	CL - CLEAR
OR - ORANGE		



Q1.02	DESCRIPTION	ndate	22/07/2009
REV		BY	DATE
01.02	WIRING DIAGRAM		
	EXTROZL	Drawing No.:	01-286138-00-01.02
	REMOTE CONFIGURATION	Date:	22/07/2009
		Drawn:	ndate
		Approved:	
		Sheet	of

FXT602L – Integral Configuration with the optional unit cover lights

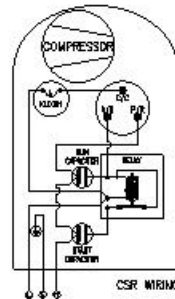
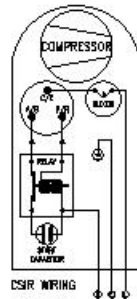


CUSTOMER COPY

RELIXON 2 NORMALLY CLOSED TYPE - OPENS 20°C / CLOSSES 5°C FITTED TO EVAPORATOR COIL END END PLATE.
 CONTROLLER CONFIGURED FOR ELECTRIC DEFROST.
 CONTROLLER CONFIGURED FOR NO DOOR SWITCH.
 PROBES BOTH TYPE 10K NTC (SH4K15P1/2)

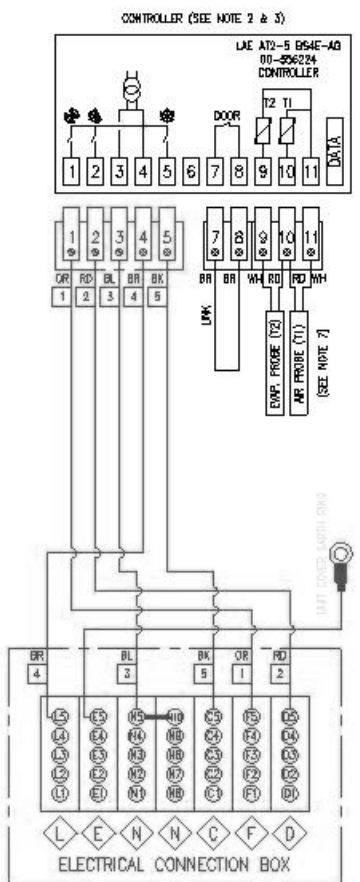
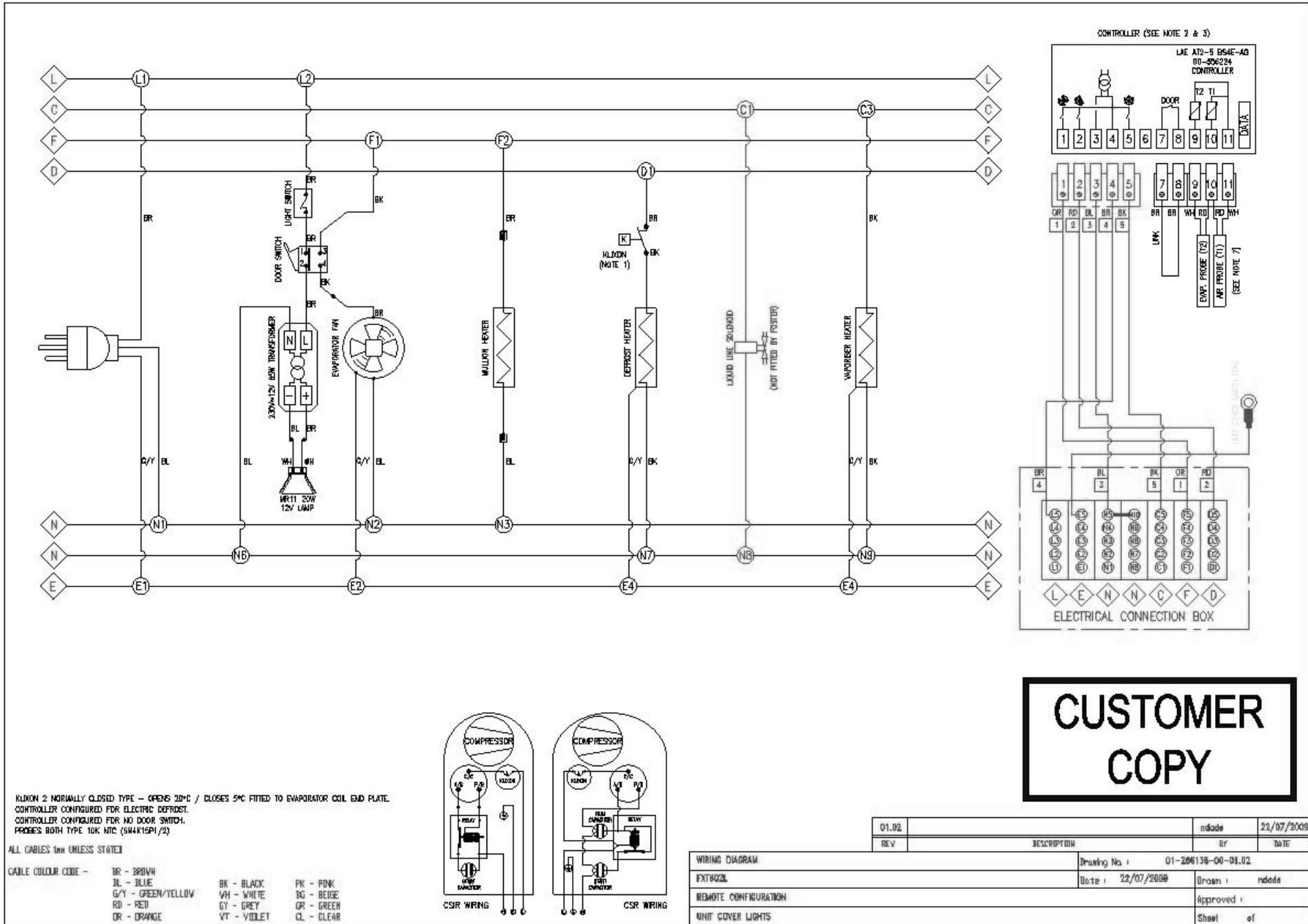
ALL CABLES 1mm UNLESS STATED

BR - BROWN	BK - BLACK	PK - PINK
BL - BLUE	WG - WHITE	BG - BEIGE
G/Y - GREEN/YELLOW	GY - GREY	GR - GREEN
RD - RED	VT - VIOLET	CL - CLEAR
DR - ORANGE		



01.02		ndate	22/07/2009
REV	DESCRIPTION	BY	DATE
	WIRING DIAGRAM	Drawing No :	01-286137-00-01.02
	FXT602L	Date :	22/07/2009
	INTEGRAL CONFIGURATION	Drawn :	ndate
	UNIT COVER LIGHTS	Approved :	
		Sheet	of

FXT602L – Remote Configuration with the optional unit cover lights

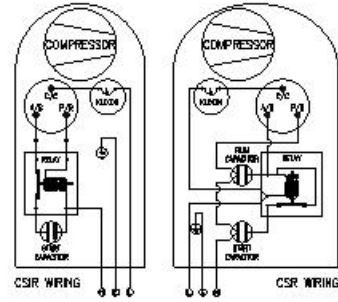


CUSTOMER COPY

HLXON 2 NORMALLY CLOSED TYPE – OPENS 20°C / CLOSSES 5°C FITTED TO EVAPORATOR COIL END PLATE.
 CONTROLLER CONFIGURED FOR ELECTRIC DEFROST.
 CONTROLLER CONFIGURED FOR NO DOOR SWITCH.
 PROBES BOTH TYPE 10K NTC (SH4K15P1/2)

ALL CABLES 1mm UNLESS STATED

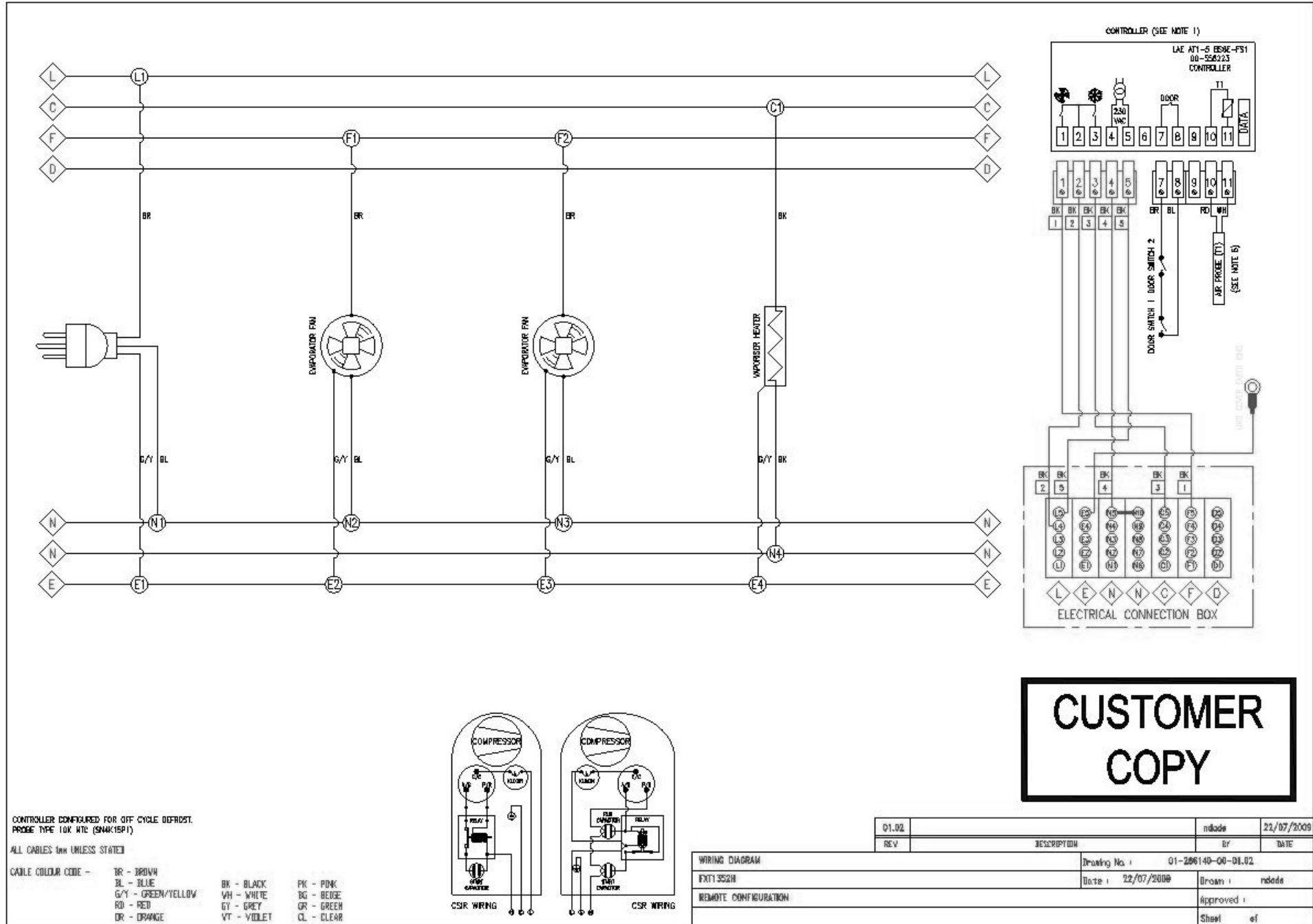
CABLE COLOUR CODE –	BR – BROWN	BL – BLUE	BK – BLACK	PK – PINK
	G/Y – GREEN/YELLOW	WH – WHITE	BG – BEIGE	RG – RED
	RD – RED	GY – GREY	GR – GREEN	CL – CLEAR
	OR – ORANGE	VT – VIOLET		



D1.02		ndada	22/07/2009
REV	DESCRIPTION	BY	DATE

WIRING DIAGRAM	Drawing No.:	01-296138-00-01.02
EXTRUCL	Date:	22/07/2009
REMOTE CONFIGURATION	Drawn:	ndada
UNIT COVER LIGHTS	Approved:	
	Sheet	of

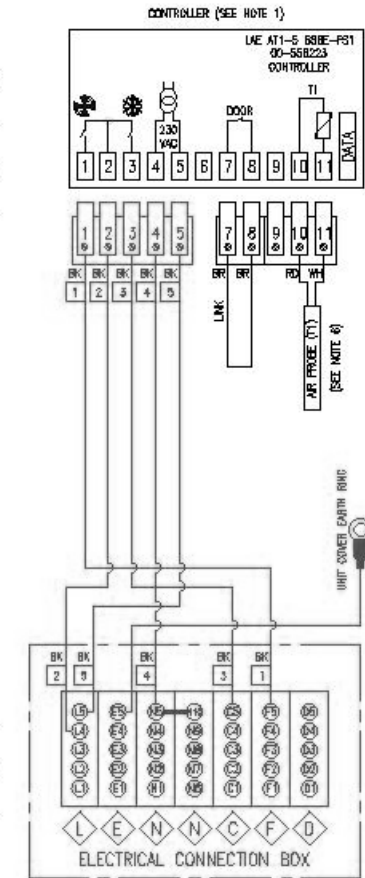
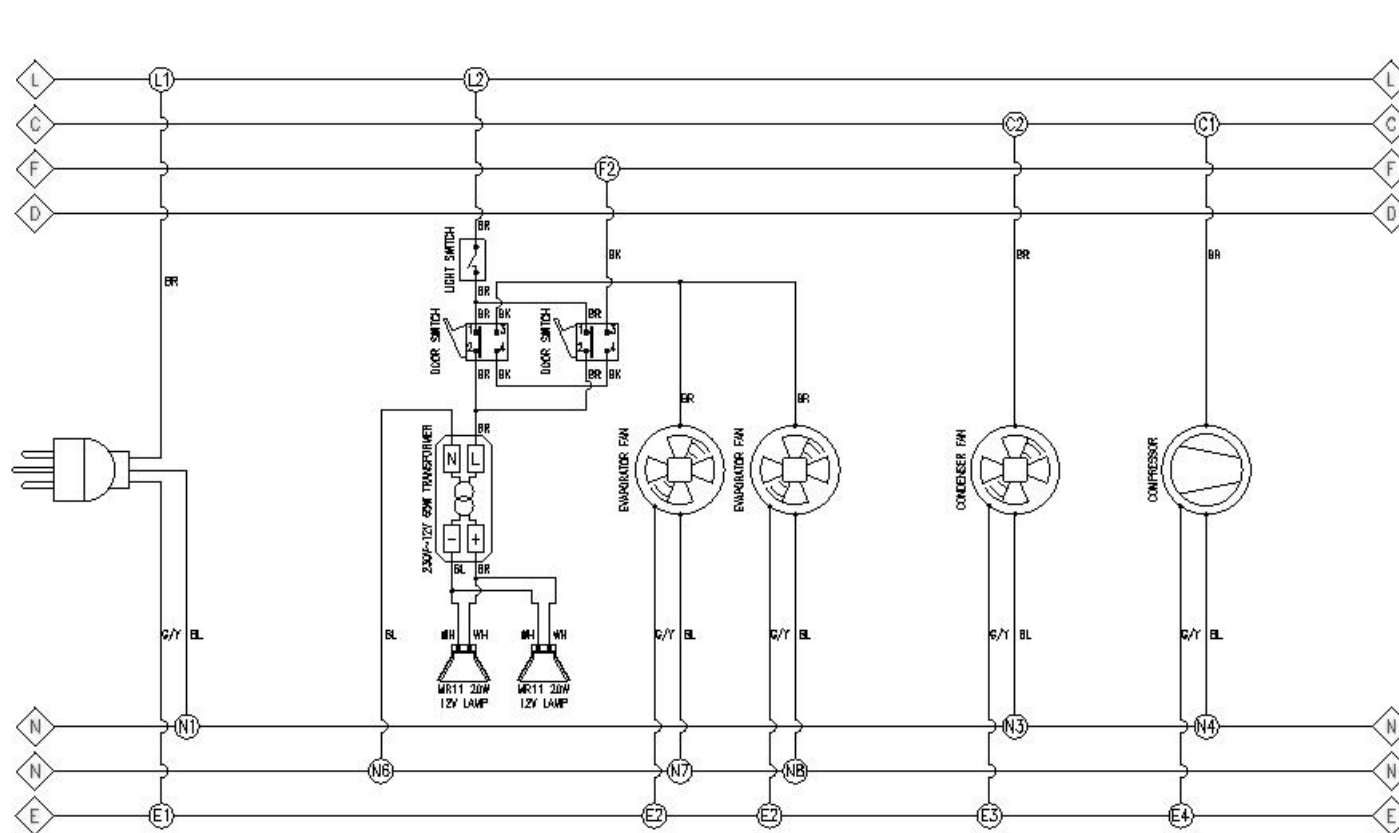
FXT1352H – Remote Configuration



REV	DESCRIPTION	DATE
01.02		22/07/2009

WIRING DIAGRAM	Drawing No. : 01-286140-00-01.02
FXT1352H	Date : 22/07/2009
REMOTE CONFIGURATION	approved :
	Sheet of

FXT1352H – Integral Configuration with the optional unit cover lights

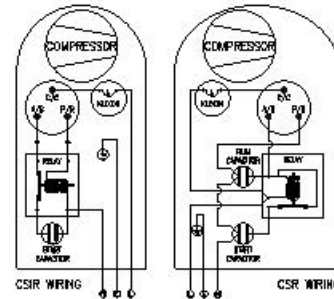


CUSTOMER COPY

CONTROLLER CONFIGURED FOR OFF CYCLE DESTRO.
 CONTROLLER CONFIGURED FOR NO DOOR SWITCH.
 PROBE TYPE 10X KIT (594K15P1).

ALL CABLES 1mm UNLESS STATED

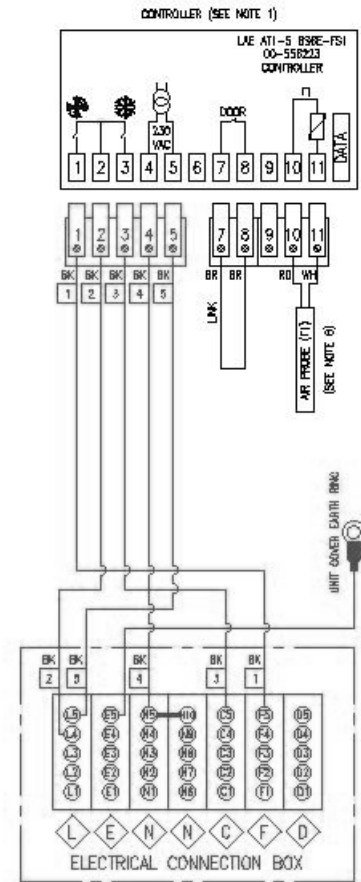
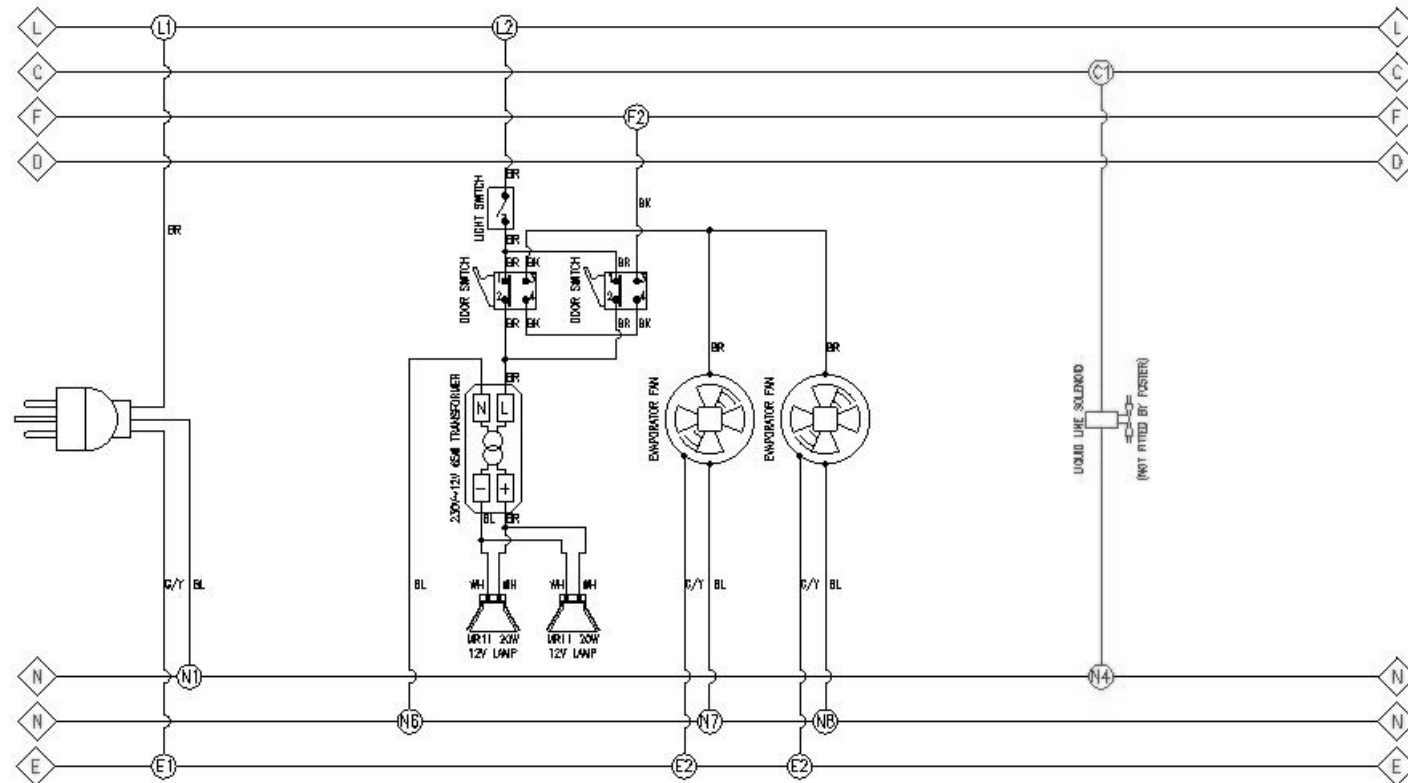
BR - BROWN	BK - BLACK	PK - PINK
BL - BLUE	BG - BEIGE	GR - GREEN
G/Y - GREEN/YELLOW	WH - WHITE	CL - CLEAR
RD - RED	GY - GREY	
OR - ORANGE	VT - VIOLET	



01.02		ndade	22/07/2009
REV	DESCRIPTION	BY	DATE

WIRING DIAGRAM	Drawing No. : 01-286141-00-01.02
FXT1352H	Date : 22/07/2009
INTEGRAL CONFIGURATION	Drawn : ndade
UNIT COVER LIGHTS	Approved :
	Sheet of

FXT1352H – Remote Configuration with the optional unit cover lights

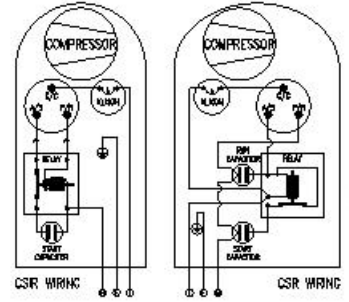


CUSTOMER COPY

CONTROLLER CONFIGURED FOR OFF CYCLE DEFROST.
 CONTROLLER CONFIGURED FOR NO DOOR SWITCH.
 PROBE TYPE 10K NTC (5H4K13P1)

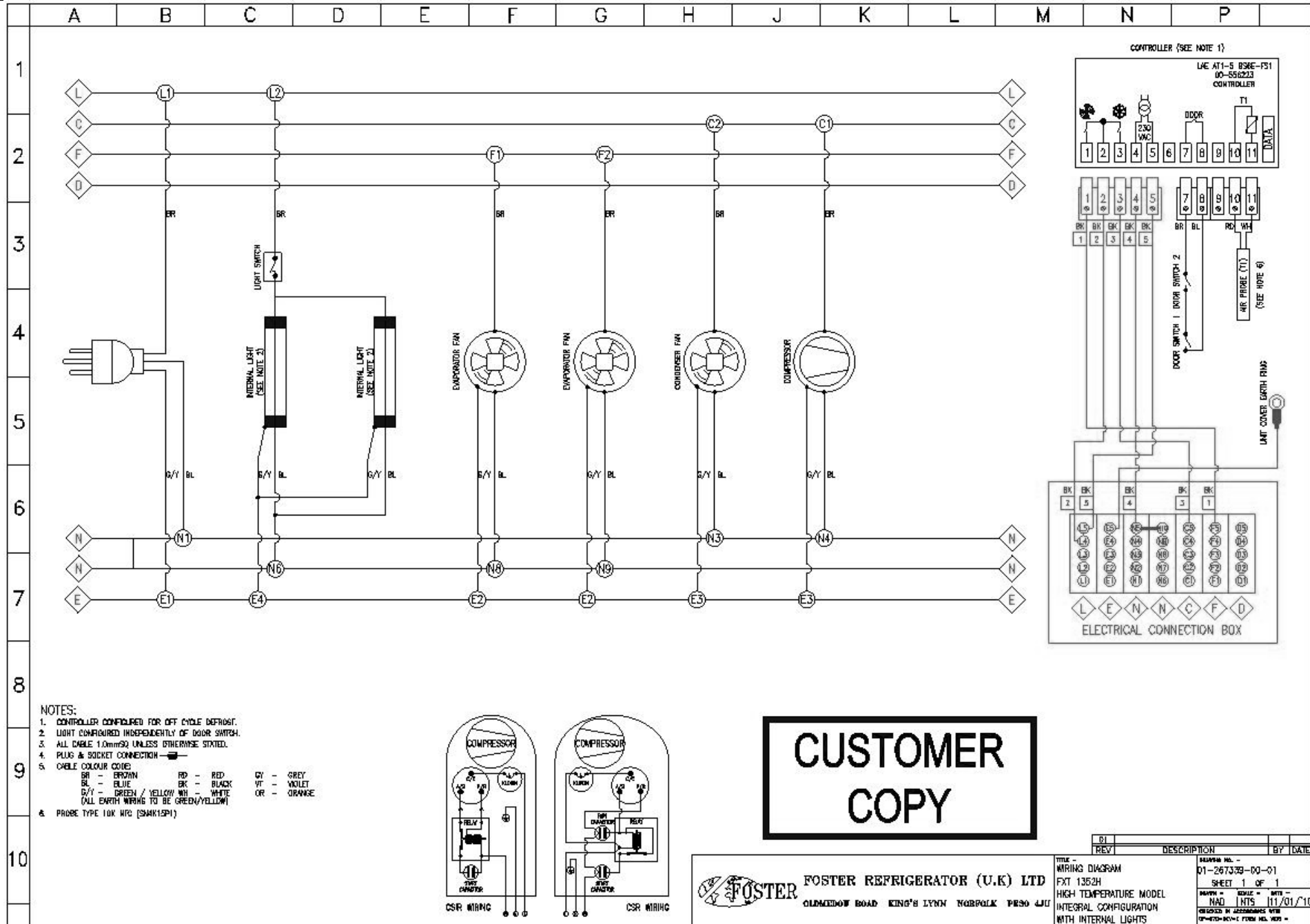
ALL CABLES 1mm UNLESS STATED

<p>CABLE COLOUR CODE -</p> <ul style="list-style-type: none"> BR - BROWN BL - BLUE G/Y - GREEN/YELLOW RD - RED OR - ORANGE 	<ul style="list-style-type: none"> BK - BLACK WH - WHITE GY - GREY VT - VIOLET 	<ul style="list-style-type: none"> PK - PINK BG - BEIGE GR - GREEN CL - CLEAR
---	--	---

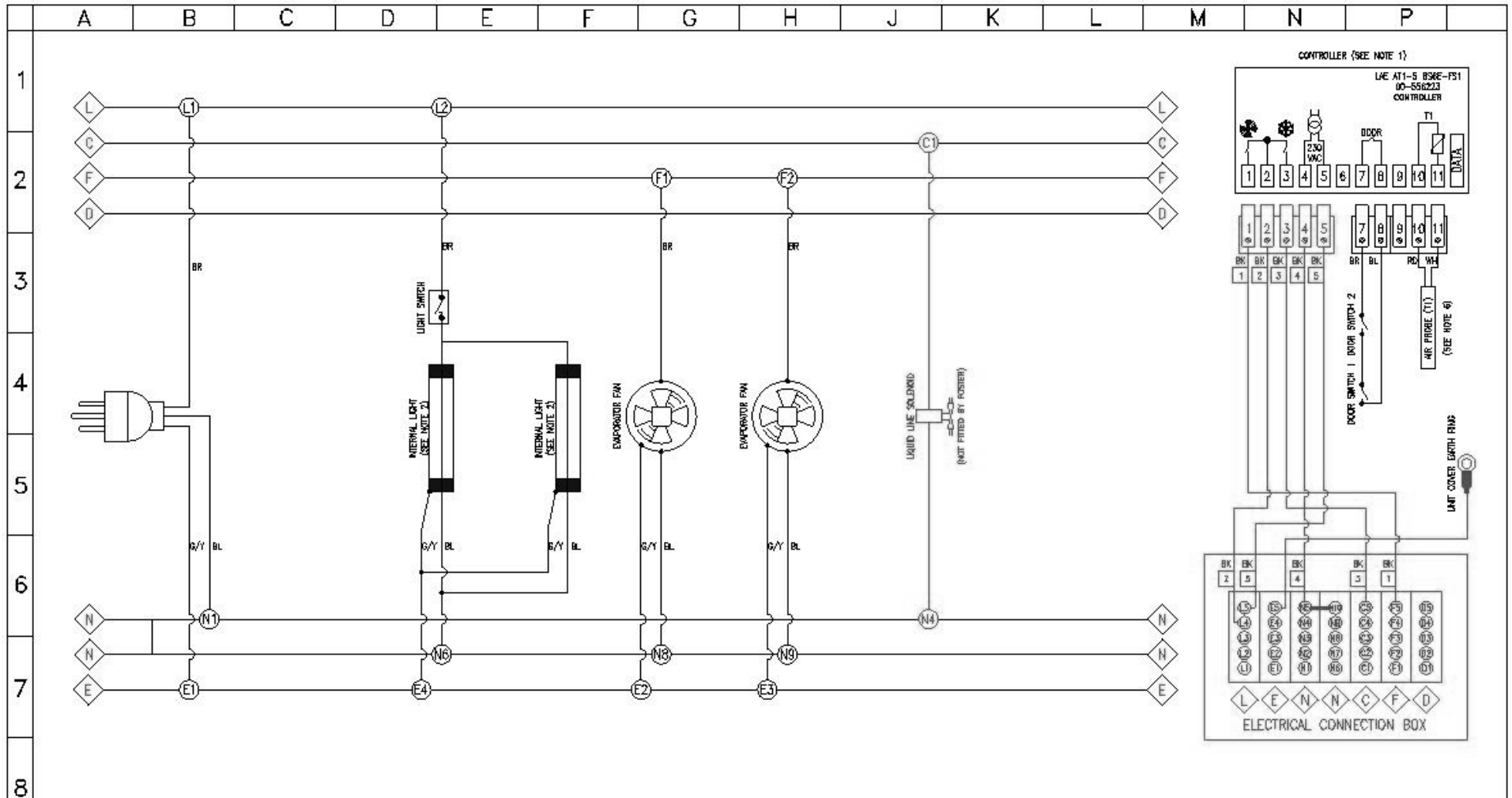


01.02		ndads	22/07/2009
REV	DESCRIPTION	BY	DATE
WIRING DIAGRAM	Drawing No. 01-286142-00-01.02		
FXT1352H	Date: 22/07/2009	Drawn: ndads	
REMOTE CONFIGURATION		Approved:	
UNIT COVER LIGHTS		Sheet	of

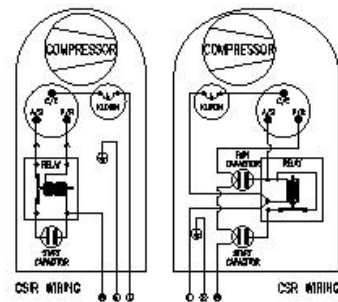
FXT1352H – Integral Configuration with the optional interior lights



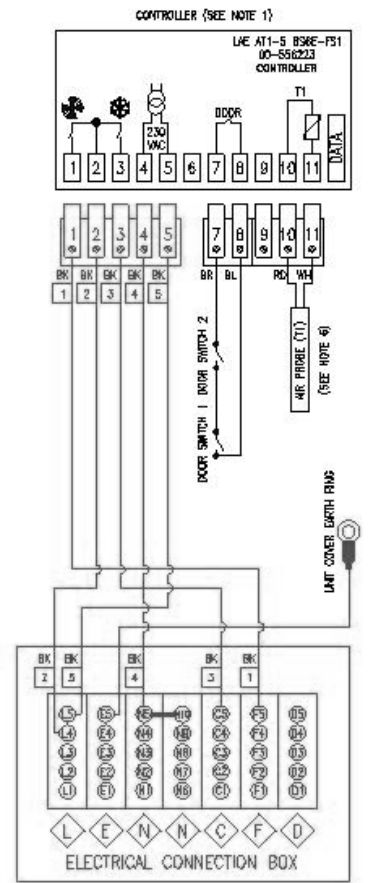
FXT1352H – Remote Configuration with the optional interior lights



- NOTES:**
1. CONTROLLER CONFIGURED FOR OFF CYCLE DEFROST.
 2. LIGHT CONFIGURED INDEPENDENTLY OF DOOR SWITCH.
 3. ALL CABLE 1.0mm² UNLESS OTHERWISE STATED.
 4. PLUG & SOCKET CONNECTION —
 5. CABLE COLOUR CODE:
 BR - BROWN RD - RED GY - GREY
 BL - BLUE BK - BLACK VT - VIOLET
 G/Y - GREEN / YELLOW WH - WHITE OR - ORANGE
 (ALL EARTH WIRING TO BE GREEN/YELLOW)
 6. PROBE TYPE 10X NTC (SH4K15P4)



CUSTOMER COPY



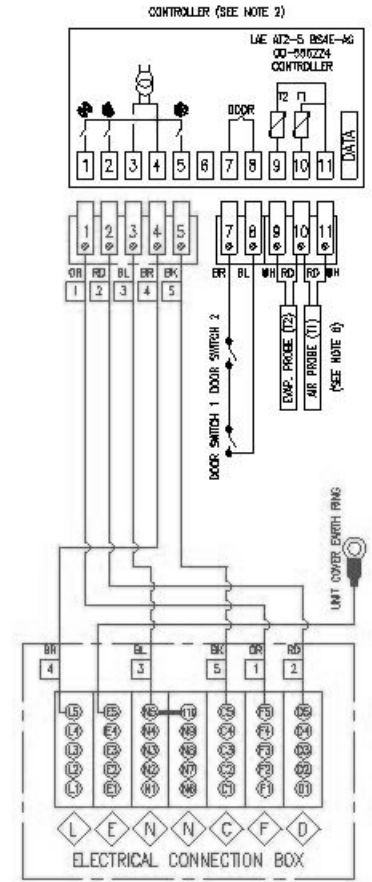
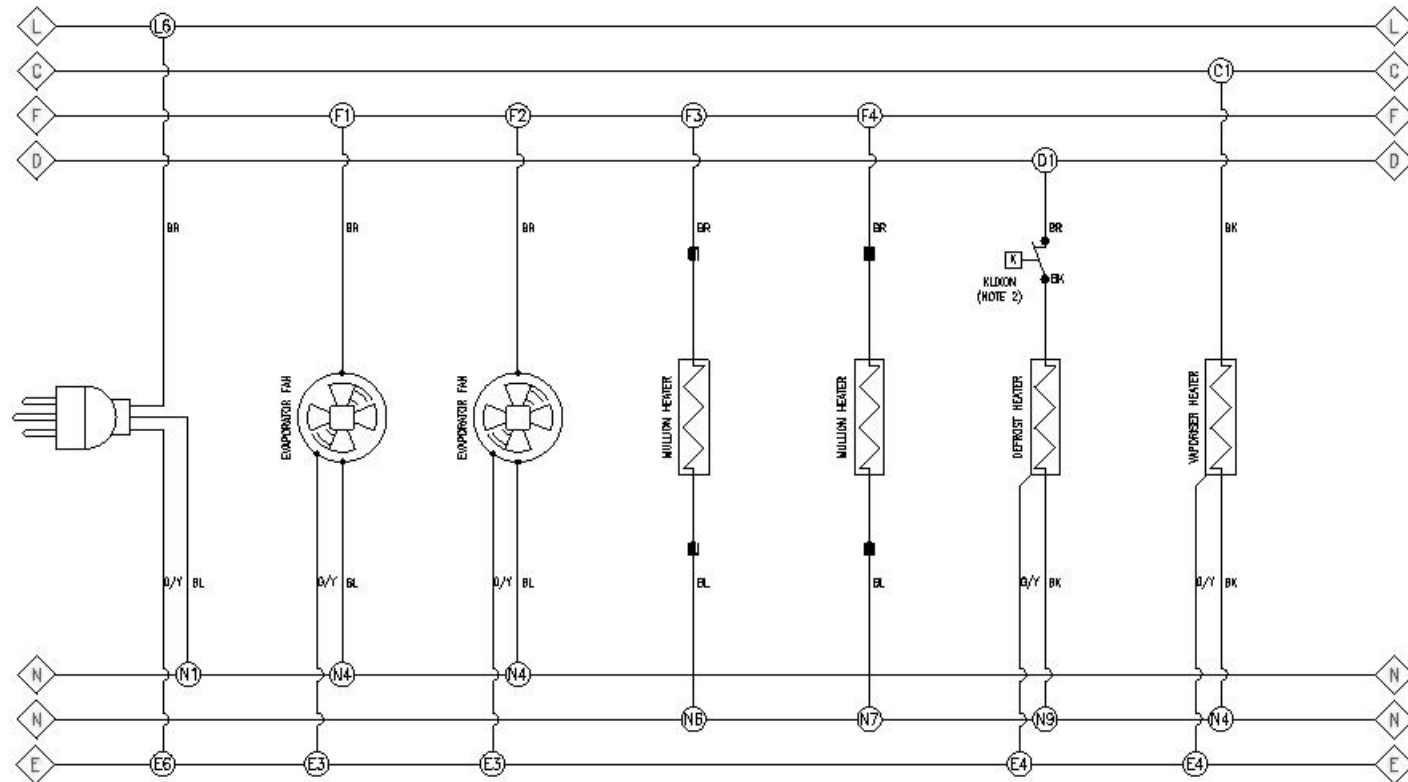
REV	DESCRIPTION	BY	DATE
01			

TITLE - WIRING DIAGRAM
 FXT 1352H
 HIGH TEMPERATURE MODEL
 REMOTE CONFIGURATION
 WITH INTERNAL LIGHTS

DRAWING NO. - 01-267340-00-01
 SHEET 1 OF 1
 DRAWN BY - HAD JHTS
 CHECKED BY - JESSIE WYB
 DATE - 11/01/10

FOSTER REFRIGERATOR (U.K) LTD
 OLDMEADOW ROAD KING'S LYNN NORFOLK PE30 4JU

FXT1352L – Remote Configuration

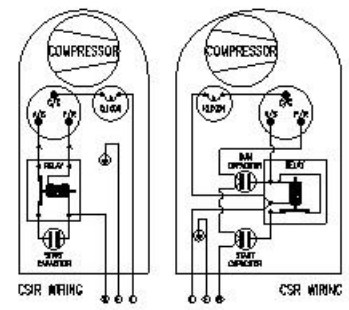


CUSTOMER COPY

K100N 2 NORMALLY CLOSED TYPE – OPENS 20°C / CLOSES 5°C FITTED TO EVAPORATOR COIL END PLATE.
 CONTROLLER CONFIGURED FOR ELECTRIC DEFROST.
 PROBES BOTH TYPE 10K NTC (3H4K1SP1/2)

ALL CABLES 1mm UNLESS STATED

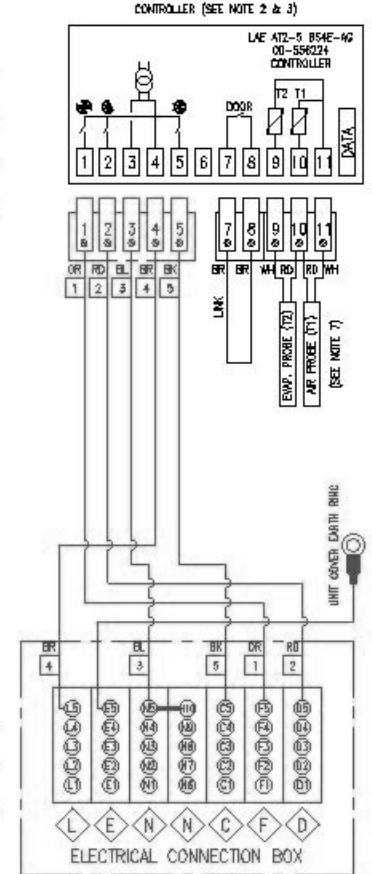
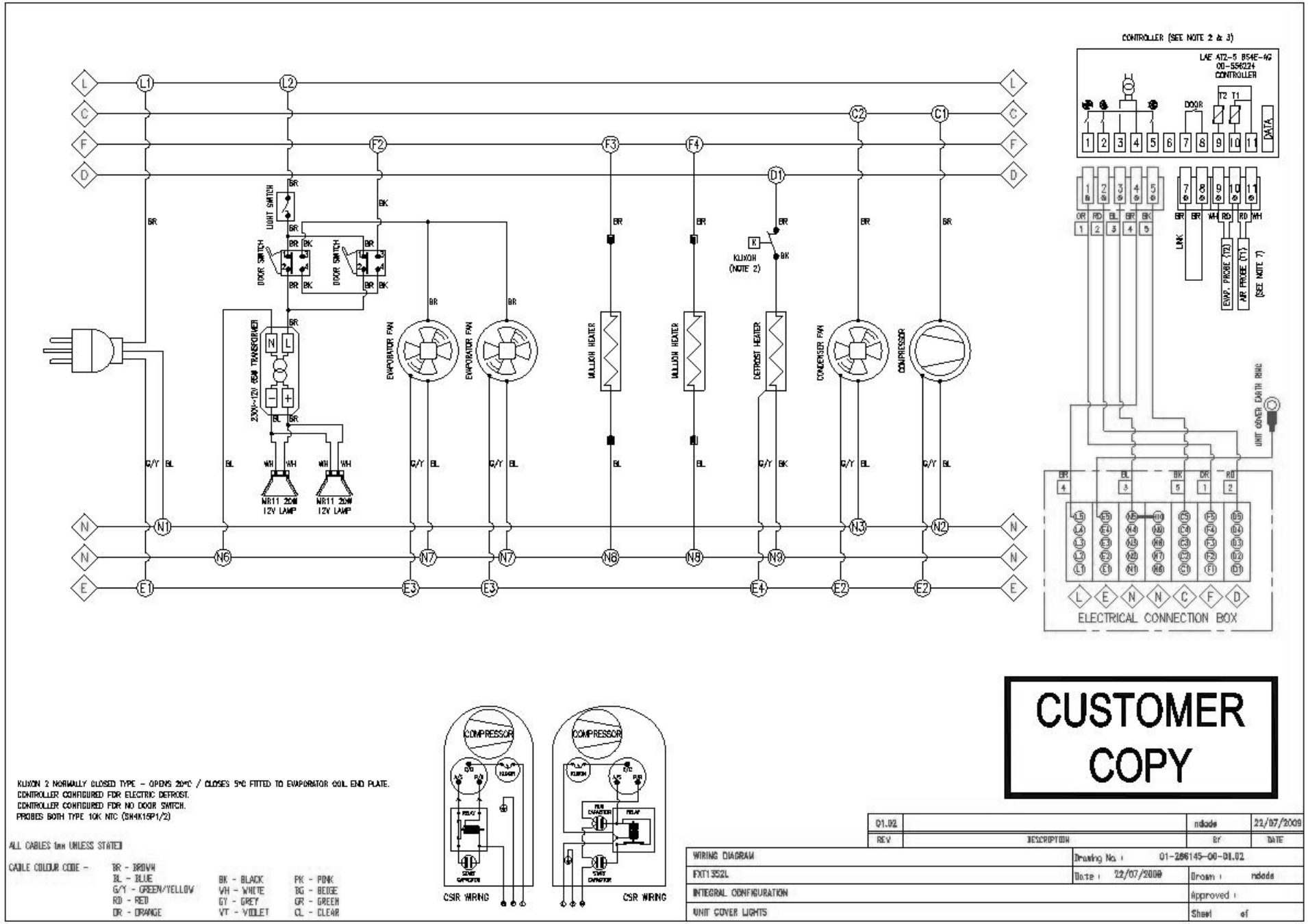
CABLE COLOUR CODE –	BR – BROWN	BL – BLACK	PK – PINK
	BL – BLUE	WH – WHITE	BG – BEIGE
	G/Y – GREEN/YELLOW	GY – GREY	GR – GREEN
	RD – RED	VT – VIOLET	CL – CLEAR
	OR – ORANGE		



D1.02		ndcode	22/07/2009
REV	DESCRIPTION	Dr	DATE

WIRING DIAGRAM	Drawing No. : 01-286144-00-01.02
FXT1352L	Date : 22/07/2009
REMOTE CONFIGURATION	Drawn : ndcode
	Approved :
	Sheet of

FXT1352L – Integral Configuration with the optional unit cover lights



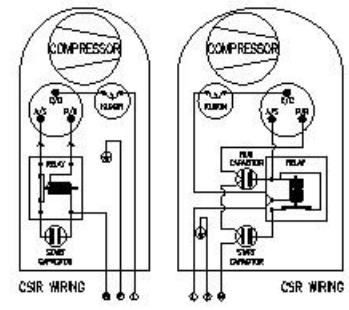
CUSTOMER COPY

KLIXON 2 NORMALLY CLOSED TYPE - OPENS 20°C / CLOSSES 5°C FITTED TO EVAPORATOR COIL END PLATE.
 CONTROLLER CONFIGURED FOR ELECTRIC DEFROST.
 CONTROLLER CONFIGURED FOR NO DOOR SWITCH.
 PROBES BOTH TYPE 10K NTC (SH4K15P1/2)

ALL CABLES 1mm UNLESS STATED

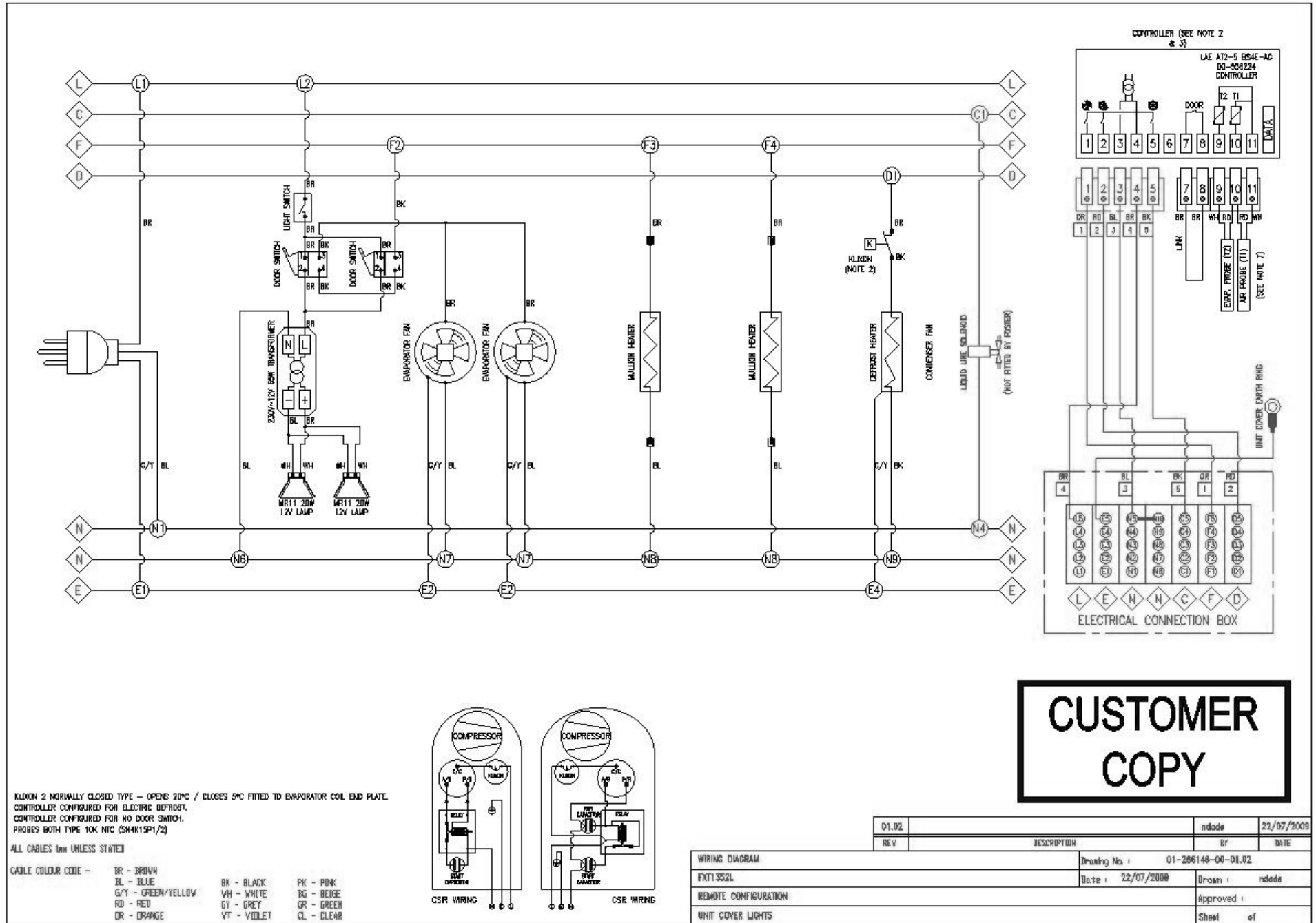
CABLE COLOUR CODE -

BR - BROWN	BK - BLACK	PK - PINK
BL - BLUE	BG - BEIGE	GR - GREEN
G/Y - GREEN/YELLOW	GY - GREY	CL - CLEAR
RD - RED	VT - VIOLET	
OR - ORANGE		



01.02		ndate	22/07/2009
REV	DESCRIPTION	Dr	DATE
WIRING DIAGRAM	Drawing No. : 01-286145-00-01.02		
FXT1352L	Date : 22/07/2009	Drawn :	ndate
INTEGRAL CONFIGURATION		approved :	
UNIT COVER LIGHTS		Sheet	of

FXT1352L – Remote Configuration with the optional unit cover lights



CUSTOMER COPY

KILKON 2 NORMALLY CLOSED TYPE – OPENS 20°C / CLOSSES 5°C FITTED TO EVAPORATOR COIL END PLATE.
CONTROLLER CONFIGURED FOR ELECTRIC DEFROST.
CONTROLLER CONFIGURED FOR NO DOOR SWITCH.
PROBES BOTH TYPE 10K NTC (SHAK15P1/2)

ALL CABLES 1mm UNLESS STATED

CABLE COLOUR CODE –

BR - BROWN	BK - BLACK	PK - PINK
BL - BLUE	BG - BEIGE	GR - GREEN
G/Y - GREEN/YELLOW	WH - WHITE	CL - CLEAR
RD - RED	GY - GREY	
DR - ORANGE	VT - VIOLET	

01.02		ndcode	22/07/2009
REV	DESCRIPTION	Dr	DATE
	WIRING DIAGRAM	Drawing No.:	01-286148-00-01.01
	FXT1352L	Date:	22/07/2008
	REMOTE CONFIGURATION	Drawn:	ndcode
	UNIT COVER LIGHTS	Approved:	
		Sheet:	of



Foster European Operations

France

Foster Refrigerator France SA

Tel: (33) 01 34 30 22 22. Fax: (33) 01 30 37 68 74.

Email: commercial@fosterfrance.com

Germany

Foster Refrigerator Gmbh,

Tel: (49) 781 990 7840. Fax (49) 781 990 7844.

Email: info@foster-gmbh.de

Foster Refrigerator

Oldmedow Road

Kings Lynn

Norfolk

PE30 4JU

Tel: 0843 216 8833

Fax: 0843 216 4707

Website: www.fosterrefrigerator.co.uk

Email: support@foster-uk.com

a Division of 'ITW (UK) Ltd'

FXT602&1352/WIRING/SM/1010