

Under Counter Cabinets

HR-135, LR-135-F,
LR-135-S, PS-135-HU,
PS-135-LU, HR-170,
LR-170, PS-170-HU, PS-170-LU



Service Manual



By Appointment to
Her Majesty, Queen Elizabeth II
Supplier of Commercial Refrigeration
Preston Refrigerator Works Ltd, Wigan & Lyth



Under Counter Cabinets

CONTENTS

	Page
Cabinet Description/Technical Specifications	2
1. General arrangement L/HR-135-F and PS-135-H/LU	3
2. Condensing unit layout LR-135-F and PS-135-LU	4
3. Unit compartment details LR-135-S	5
4. Door assembly and Temperature Probe details LR-135-S	6
5. Condensing unit layout HR-135-F and PS-135-HU	7
6. Condenser layout LR-135-S	8
7. Door assembly and temperature probe details HR-135-F, LR-135-F, PS-135-HU, PS-135-LU	9
8. Evaporator coil cover and drainpan detail LR-135 and PS-135-LU	10
9. Evaporator assembly LR-135-S	11
10. Evaporator coil layout and thermostat probe position LR-135-F and PS-135-LU	12
11. Evaporator coil layout and thermostat probe position HR-135-F and PS-135-HU	13
12. Evaporator coil, axial fan, front cover and drainpan	14
13. Ladderack, shelf and hinge detail	15
14. View on rear of HR-135-F and PS-135-HU cabinets	16
15. View on rear of LR-135-F and PS-135-LU cabinets	17
16. General arrangement	18
17. View of rear of HR-170 and PS-170-HU cabinets	19
18. View of rear of LR-170 and PS-170-LU cabinets	20
19. Ladderack, shelf and hinge detail	21
20. Evaporator coil, axial fan, front cover and drainpan	22
21. Door assembly and temperature probe details	23
22. Interior light fitting detail HR-170-UG	24
23. Condensing unit layout HR-170 and PS-170-HU	25
24. Condensing unit layout LR-170 and PS-170-LU	26
25. Evaporator coil details HR-170 and PS-170-HU	27
26. Evaporator coil details LR-170 and PS-170-LU	28
27. Evaporator coil cover and drainpan heater detail	29
28. Wiring diagrams	30-32

CABINET DESCRIPTION

The cabinet's construction consists of a one piece CFC free foamed shell with the condensing unit compartment situated to the rear at the base of the cabinet.

There are two temperature ranges, HR cabinets operating +3°C/+5°C and the LR range operating -18°C/-21°C.

The interior will be of Aluminium finish and the exterior on all models will be White Laminate. Available on all models, an optional finish of 430 Stainless Steel for the exterior.

Levelling bolts will be fitted as standard on the range but 40mm castors will not be available.

PLEASE NOTE: By using castors, overall height will be increased by 15mm on all cabinets.

Doors will be fitted with pivot hinges and locks. These can easily be changed from right hand hung to left hand. Door gaskets will be of a push-in gasket which can easily be removed for cleaning.

On all models there will be fitted to the door an LCD thermometer with the probe mounted onto the door inner backclad. Door lock fitted to door as standard.

All models, except for the LR-135-S, will operate with a forced air system and will include an automatic defrosting cycle. On the LR-135-S, Star Refrigerated Shelves are fitted and defrosting is by a manual operation. Defrosting on the HR models (+3°C/+5°C) will be achieved by a 'timed cycle' system, while on the LR models, defrosting is by means of a 'forced defrost' system which uses electric defrost heaters controlled via the time clock located on the rear of the cabinets.

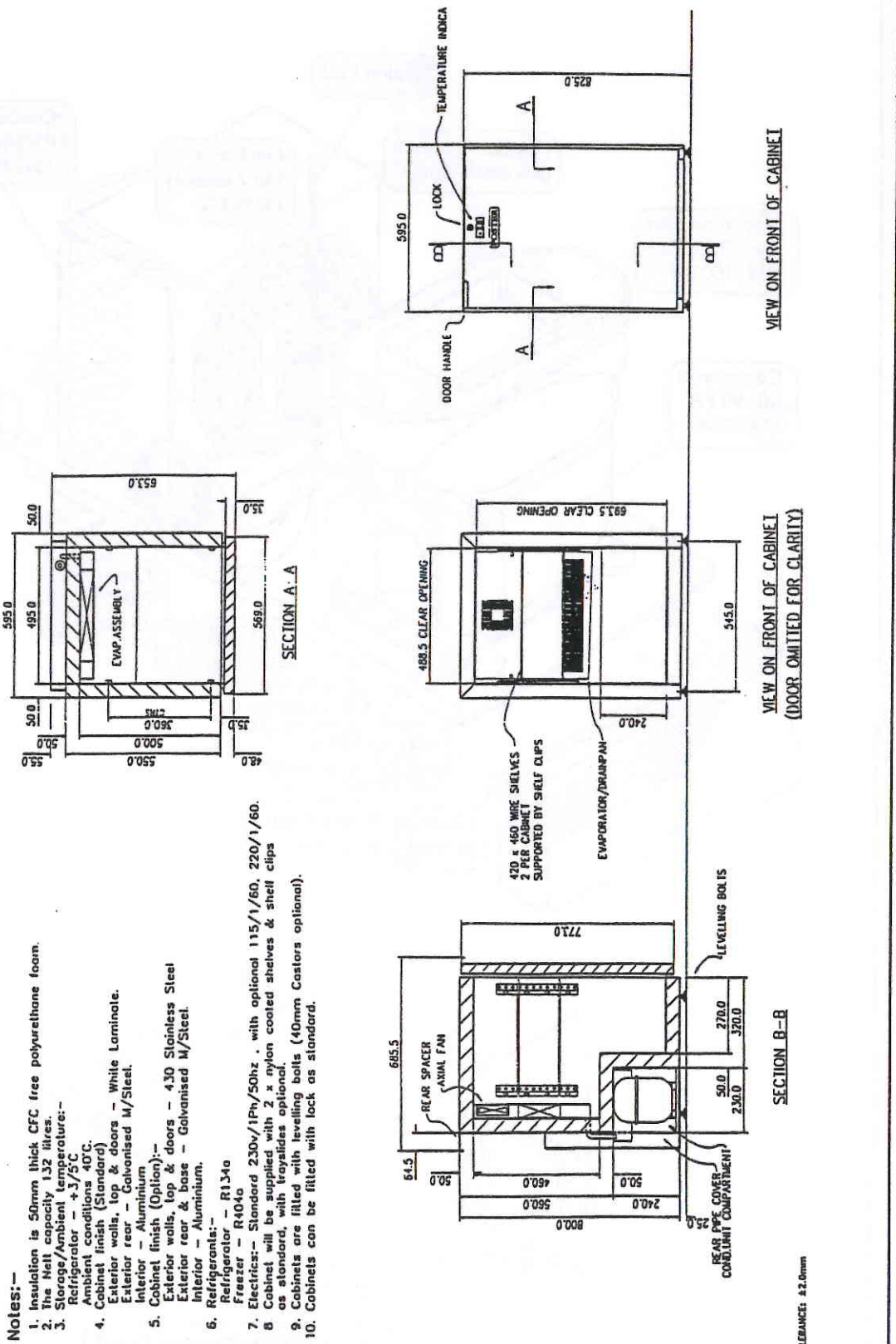
On all models, except for the LR-135-S, ladder racks and shelving can be removed for cleaning purposes.

Technical Specifications

	Cubic cap.	Ref gram.	Capillary length	Amps/Watts	Max. ambient
HR-135	135Ltr.	R134a/220g	3m x 0.31"	1.25/180	43°C
HR-170	170Ltr.	R134a/170g	3m x 0.042"	1.35/200	43°C
LR-135-F	135Ltr.	R404a/170g	3m x 0.042"	2.4/365	43°C
LR-135-S	135Ltr.	R134a/100g	N/A	0.75/100	32°C
LR-170	170Ltr.	R404a/170g	3m x 0.042"	2.4/380	43°C

	Cubic cap.	Ref gram.	Capillary length	Amps/Watts	Max. ambient
PS-135-HU	135Ltr.	R134a/220g	3m x 0.31"	1.25/180	43°C
PS-170-HU	170Ltr.	R134a/170g	3m x 0.042"	1.35/200	43°C
PS-135-LU	135Ltr.	R404a/170g	3m x 0.042"	2.4/365	43°C
PS-170-LU	170Ltr.	R404a/170g	3m x 0.042"	2.4/380	43°C

1. GENERAL ARRANGEMENT L/HR-135-F AND PS-135-H/LU



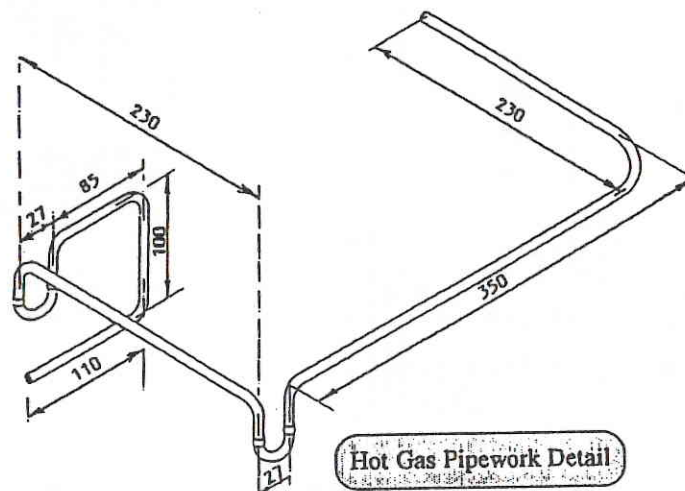
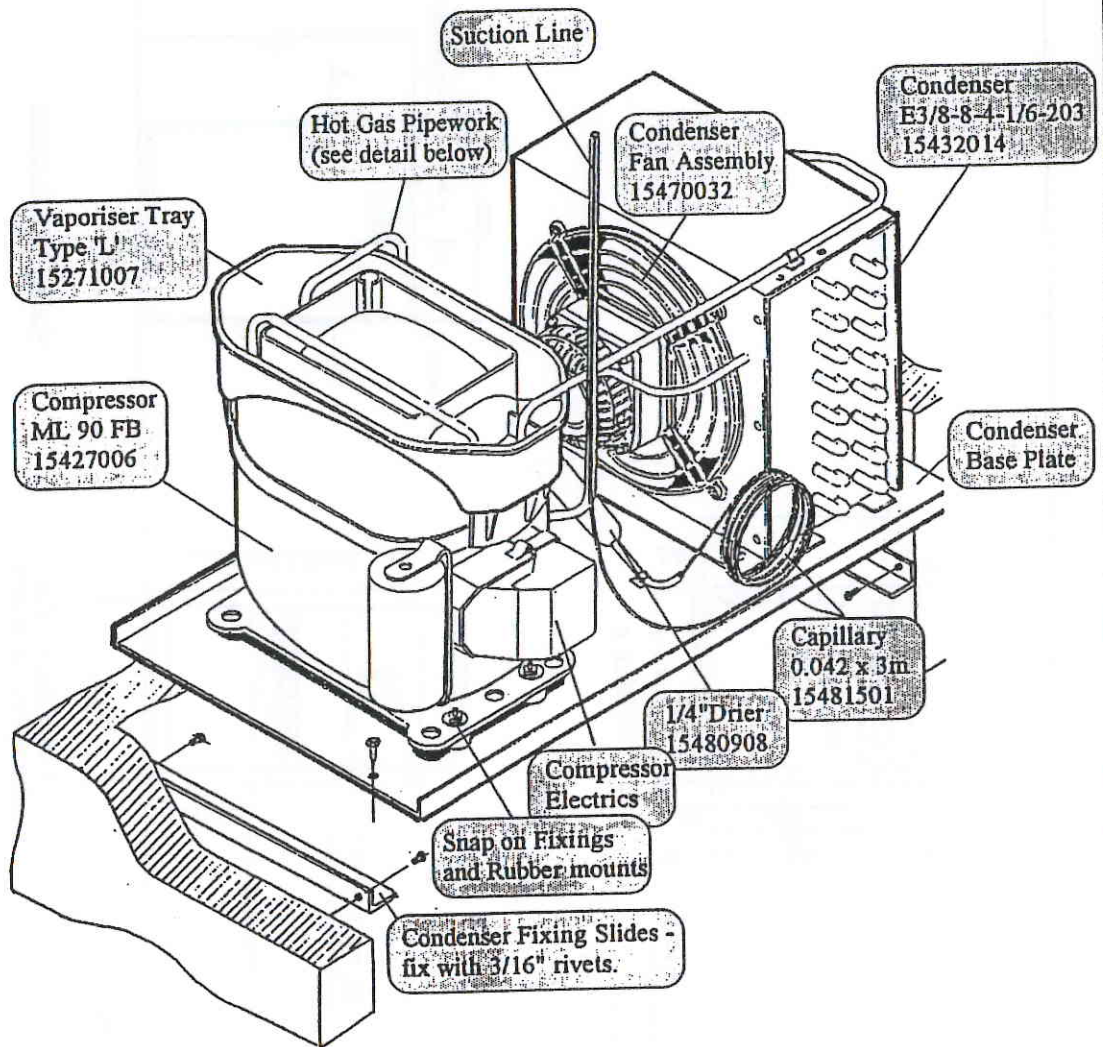
- Notes:-**
1. Insulation is 50mm thick CFC free polyurethane foam.
 2. The Net capacity 132 litres.
 3. Size Storage/Ambient temperature:-
Refrigerator - 4°C
Ambient conditions 40°C.
 4. Cabinet finish (Standard)
Exterior walls, top & doors - White Laminate.
Exterior rear - Galvanised M/Steel.
Interior - Aluminium
 5. Cabinet finish (Option):-
Exterior walls, top & doors - 430 Stainless Steel
Exterior rear & base - Galvanised M/Steel.
Interior - Aluminium.
 6. Refrigerants:-
Refrigerator - R134a
Freezer - R404a
 7. Electric:- Standard 230v/1Ph/50hz . with optional 115/1/60, 220/1/60.
 8. Cabinet will be supplied with 2 x nylon coated shelves & shelf clips as standard, with trayslides optional.
 9. Cabinets are fitted with levelling bolts (40mm Castors optional).
 10. Cabinets can be fitted with lock as standard.

For details refer to latest issue of RI 12389

Under Counter Cabinets - HR 135 -F • LR 135 -F • PS 135 HU • PS 135 LU

General Arrangement - L/HR 135-F & PS 135 H/LU

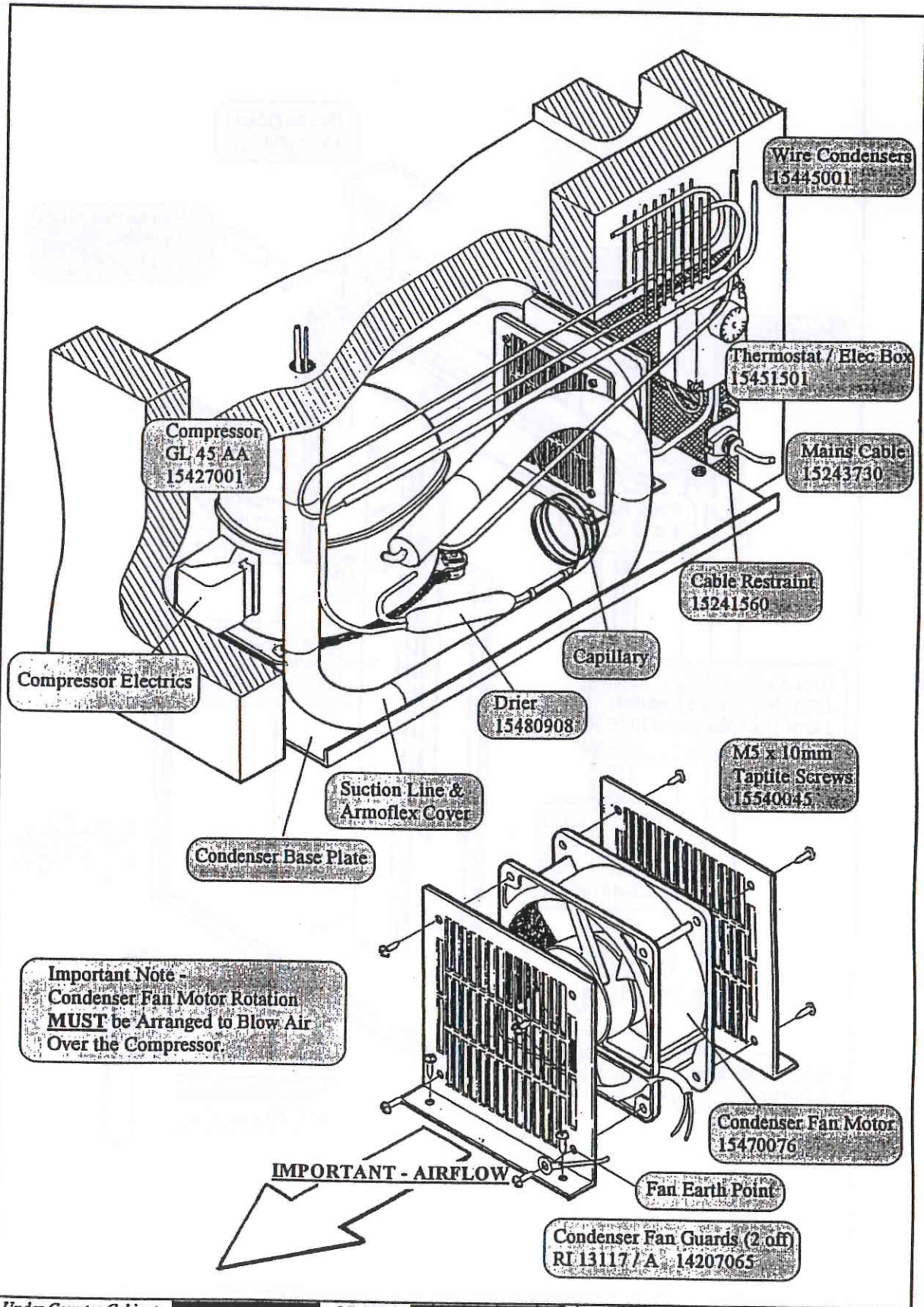
2. CONDENSING UNIT LAYOUT - LR-135-F AND PS-135-LU



Under Counter Cabinets - LR 135-F - PS 135 LU

Condensing Unit Layout - LR 135 - F and PS 135 LU

3. UNIT COMPARTMENT DETAILS LR-135-S

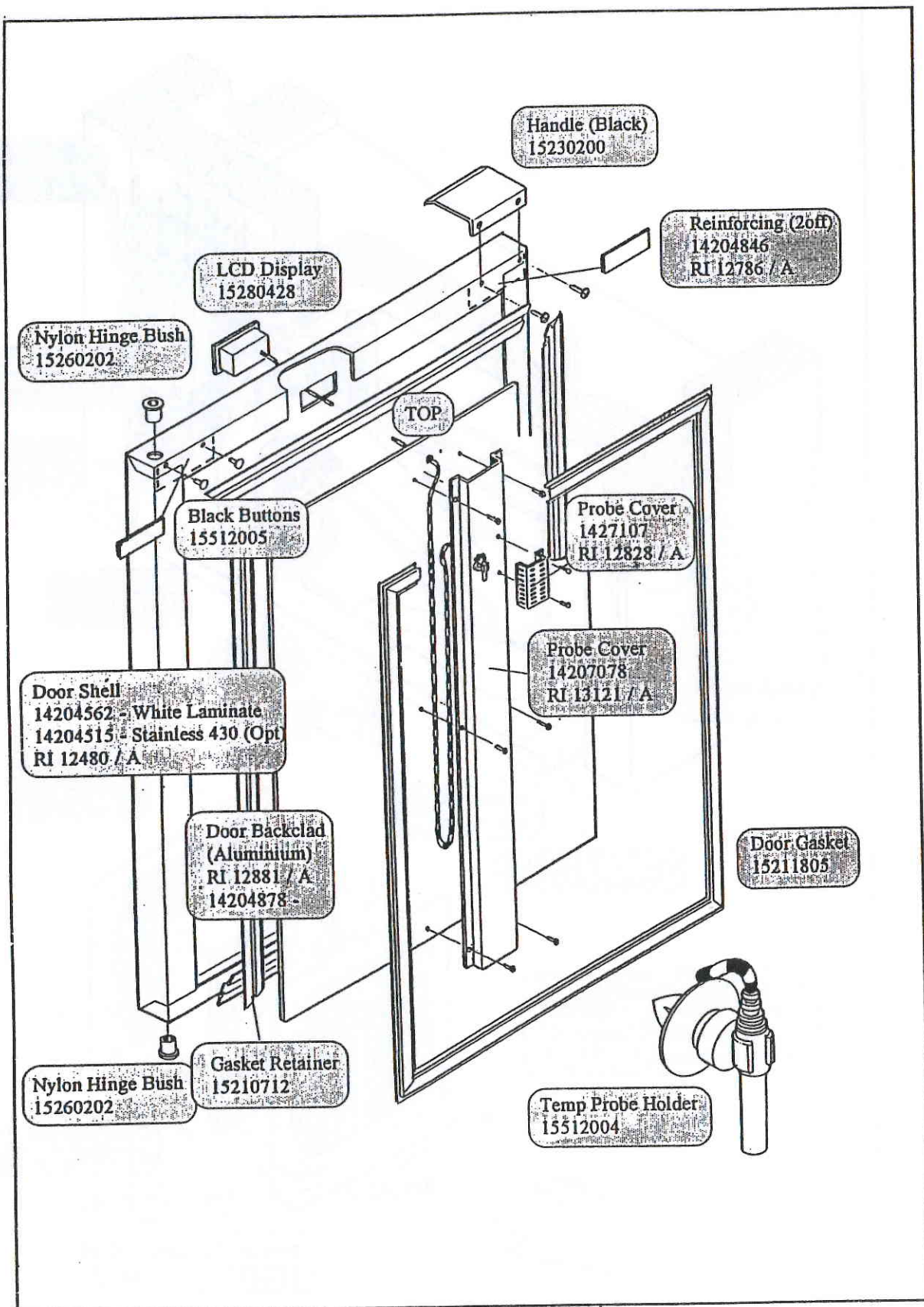


Under Counter Cabinets -

• LR 135-S •

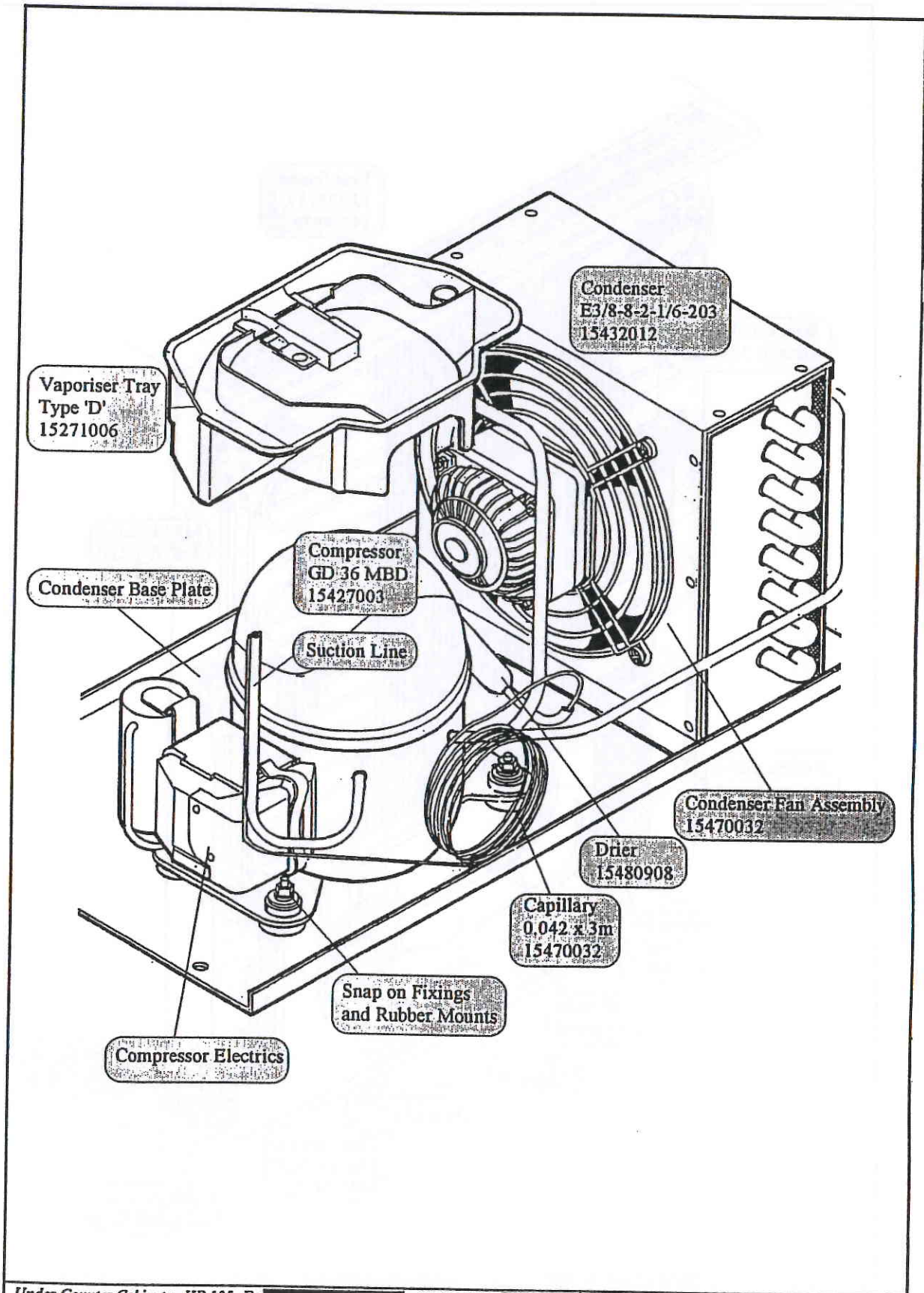
Unit Compartment Details - LR 135 - S

4. DOOR ASSEMBLY AND TEMPERATURE PROBE DETAILS LR-135-S



Under Counter Cabinets - LR 135-S -
Door Assembly & Temperature Probe Details - LR 135-S

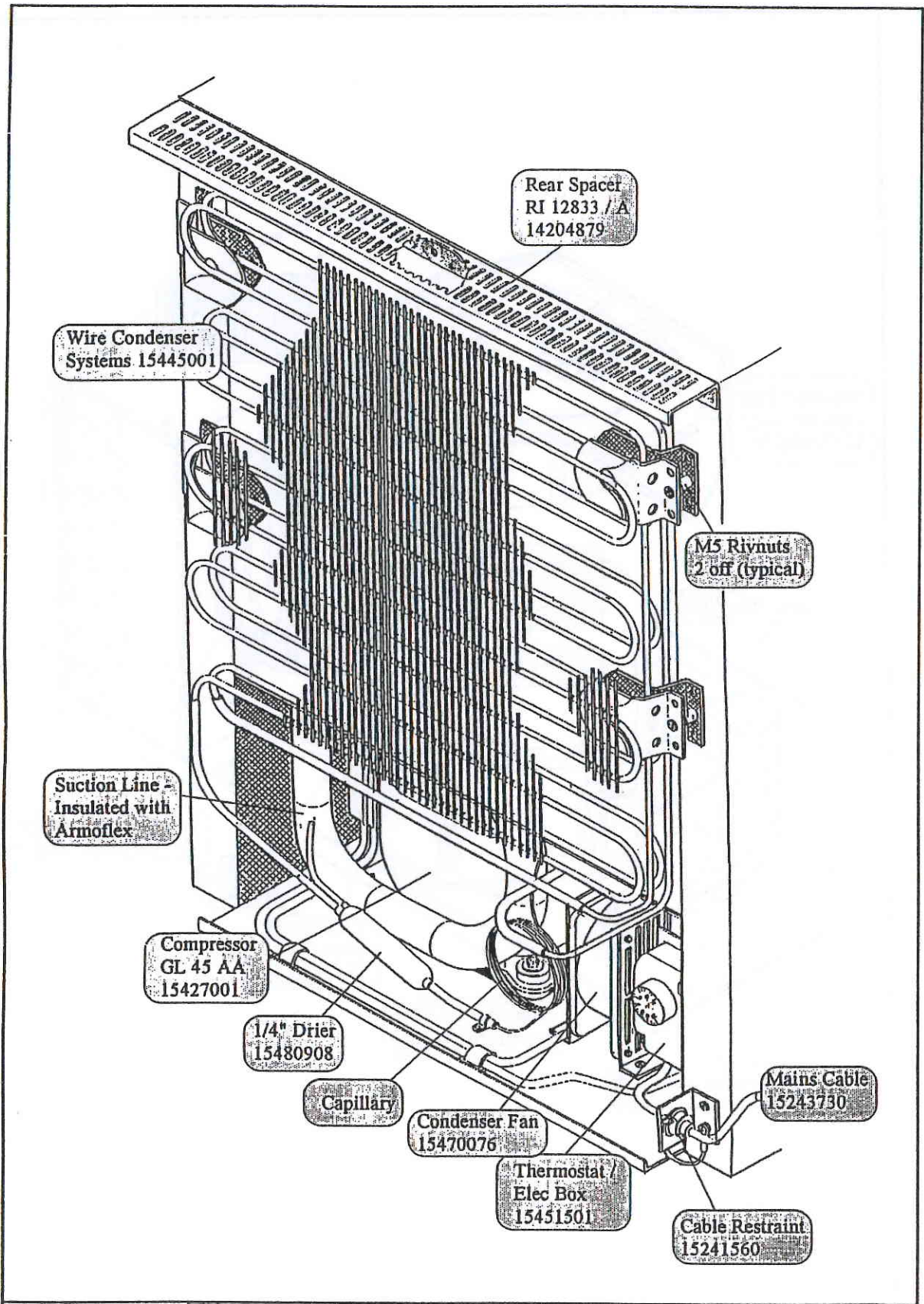
5. CONDENSING UNIT LAYOUT HR-135-F AND PS-135-HU



Under Counter Cabinets - HR 135 -F • PS 135 HU •

Condensing Unit Layout - HR 135-F and PS 135 HU

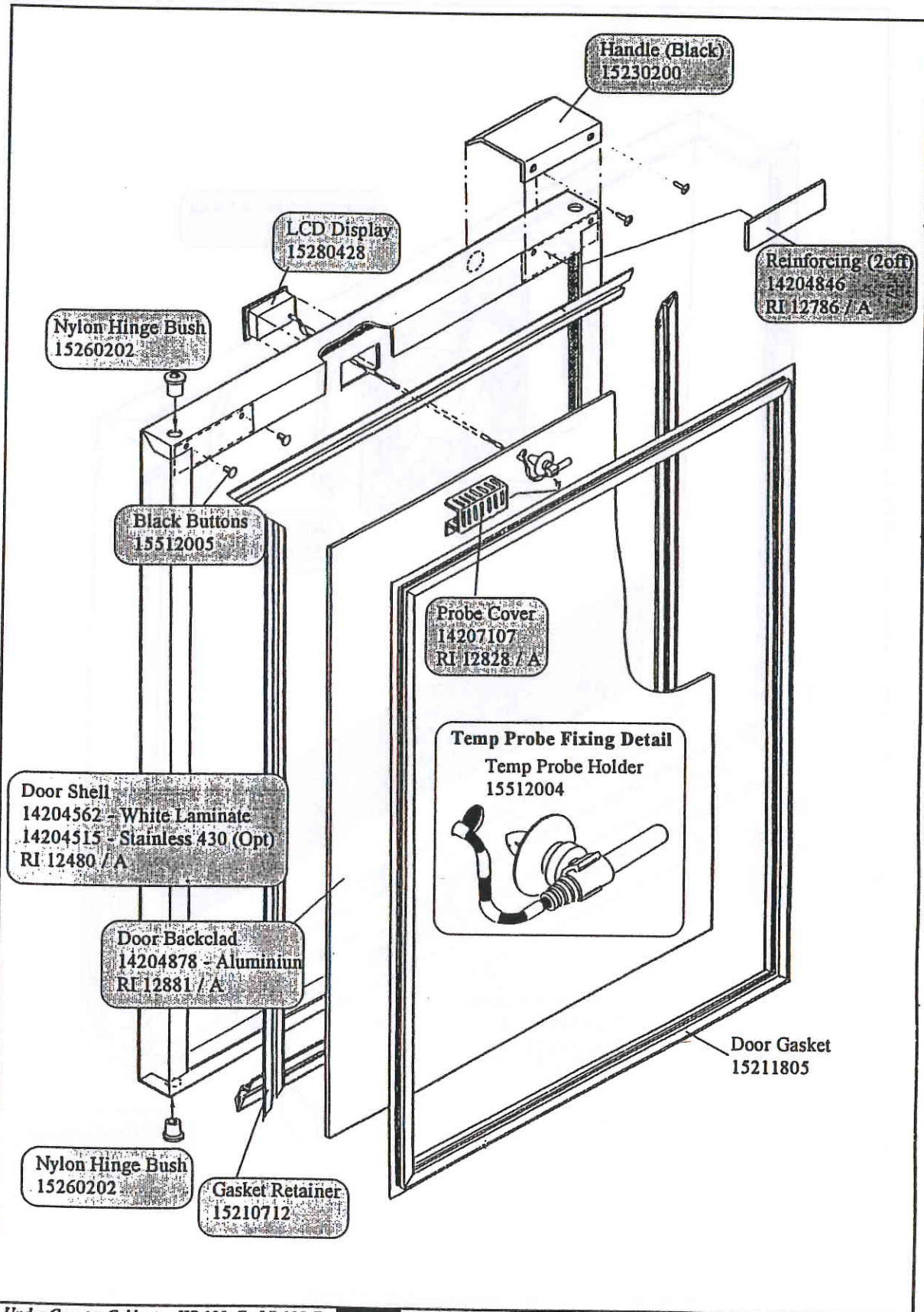
6. CONDENSER LAYOUT LR-135-S



Under Counter Cabinets - LR 135-S

Condenser Layout - LR 135-S

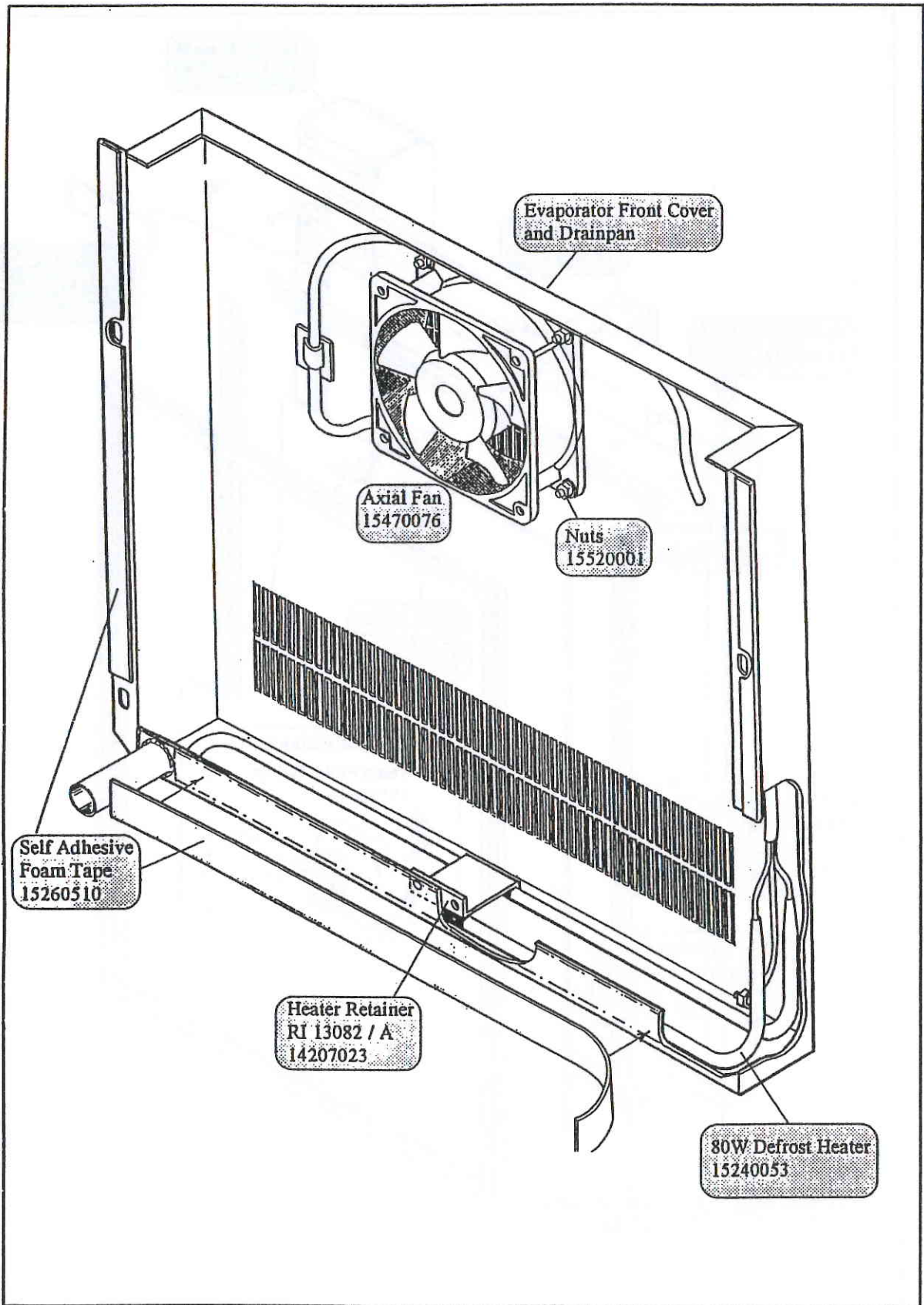
7. DOOR ASSEMBLY AND TEMPERATURE PROBE DETAILS HR-135-F, LR-135-F, PS-135-HU, PS-135-LU



Under Counter Cabinets - HR 135 -F • LR 135-F • PS 135 HU • PS 135 LU

**Door Assembly & Temperature Probe Details -
HR 135-F • LR 135-F • PS 135 HU • PS 135 LU**

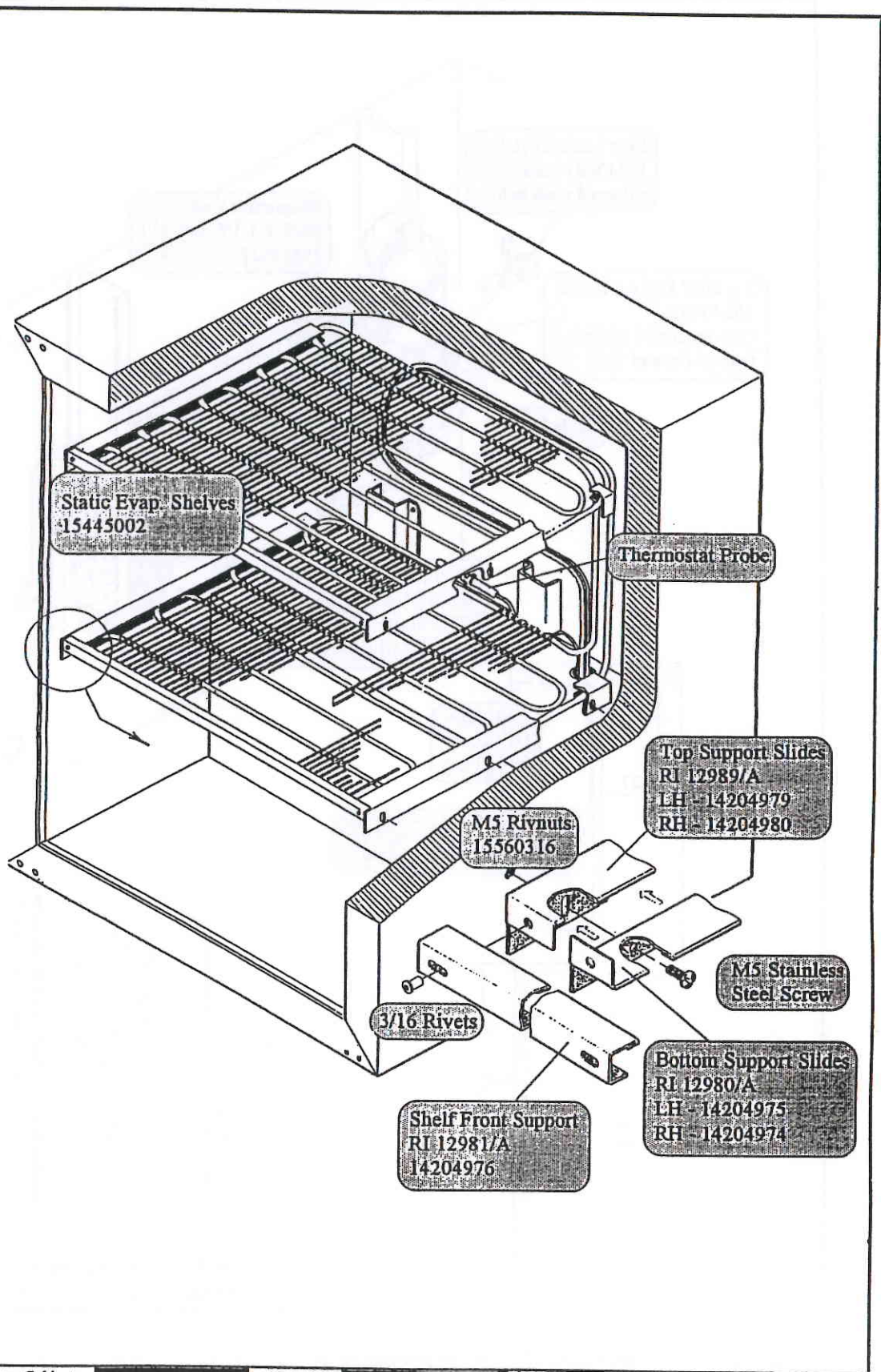
8. EVAPORATOR COIL COVER AND DRAINPAN DETAIL LR-135 AND PS-135-L



Under Counter Cabinets - • LR 135-F • PS 135 LU

*Evaporator Coil Cover and Drainpan Detail -
LR 135-F and PS 135 LU*

9. EVAPORATOR ASSEMBLY LR-135-S

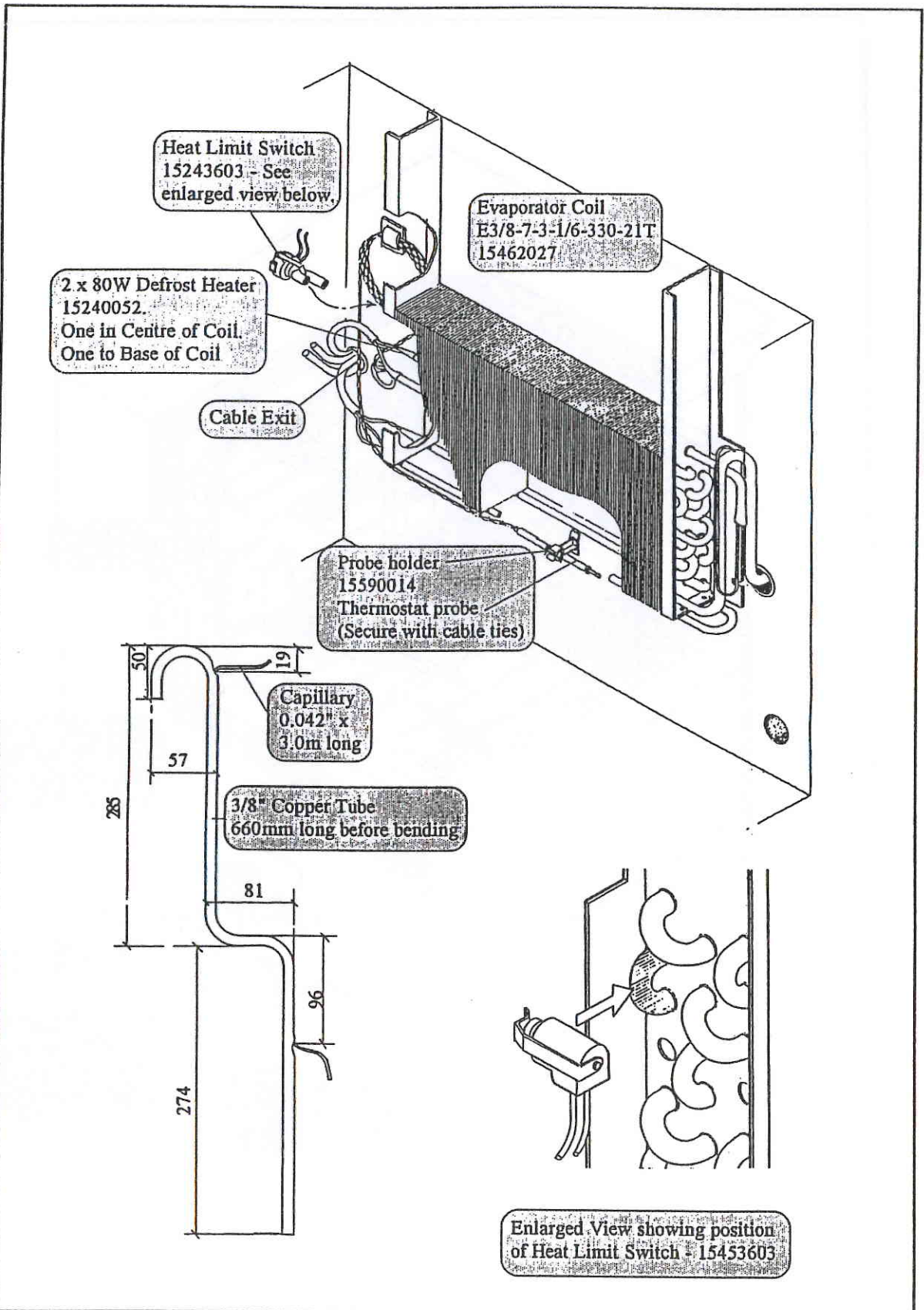


Under Counter Cabinets -

• LR 135-S •

Evaporator Assembly - LR 135 - S

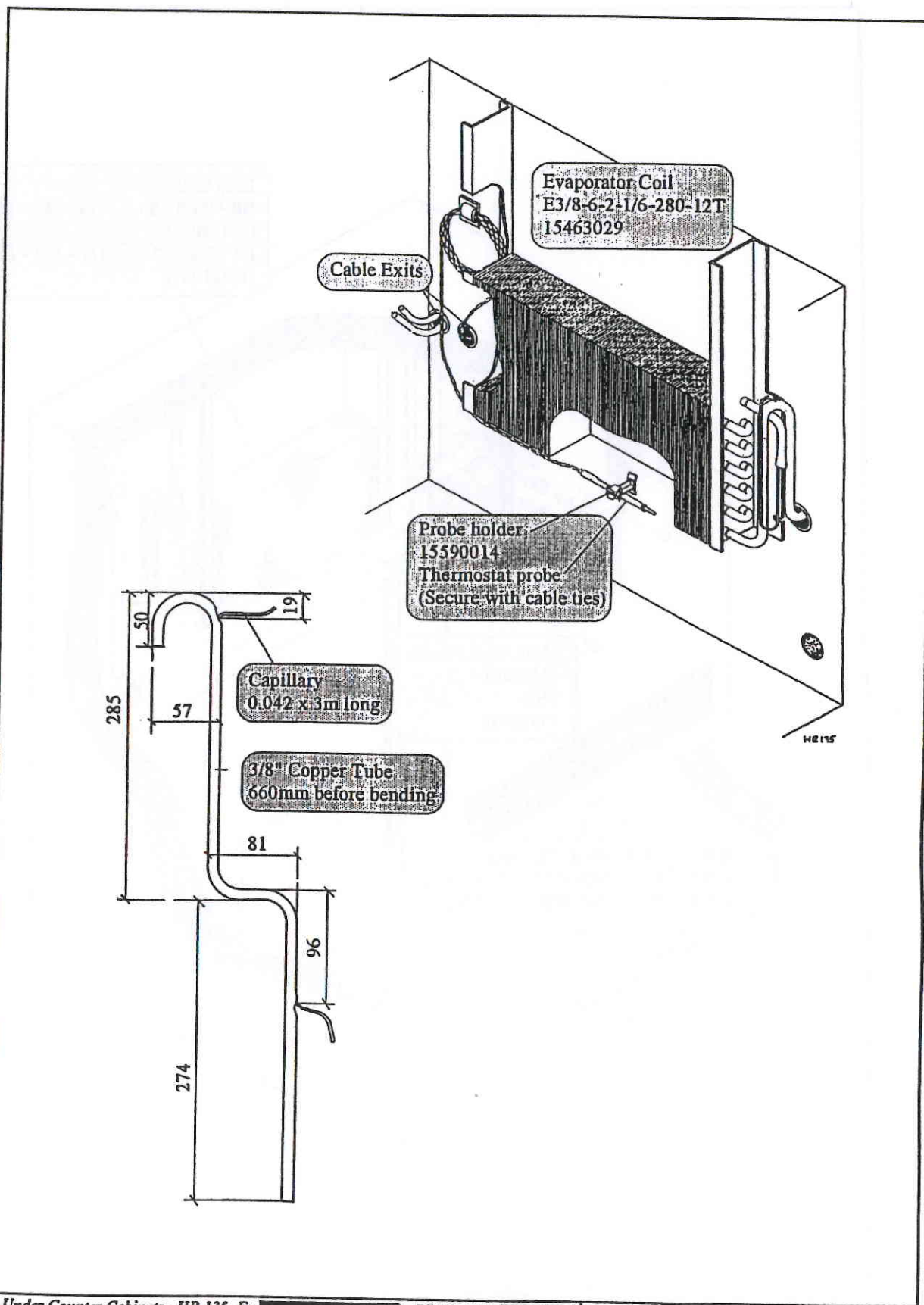
**10. EVAPORATOR COIL LAYOUT AND THERMOSTAT PROBE POSITION
LR-135-F AND PS-135-LU**



Under Counter Cabinets • LR 135-F • PS 135 LU

**Evaporator Coil Layout and Thermostat Probe Position -
LR 135-F and PS 135 LU**

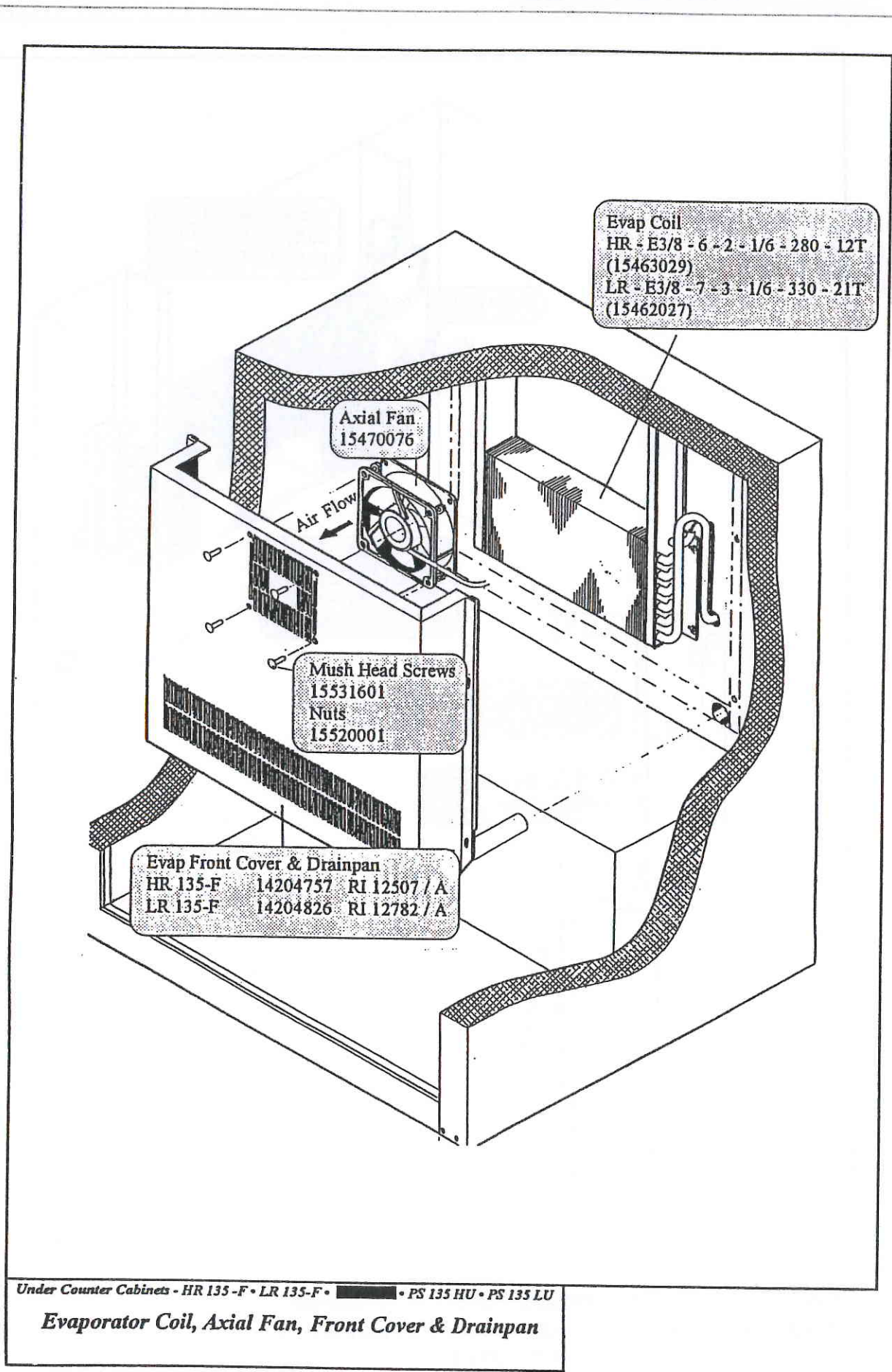
**11. EVAPORATOR COIL LAYOUT AND THERMOSTAT PROBE POSITION
HR-135-F AND PS-135-HU**



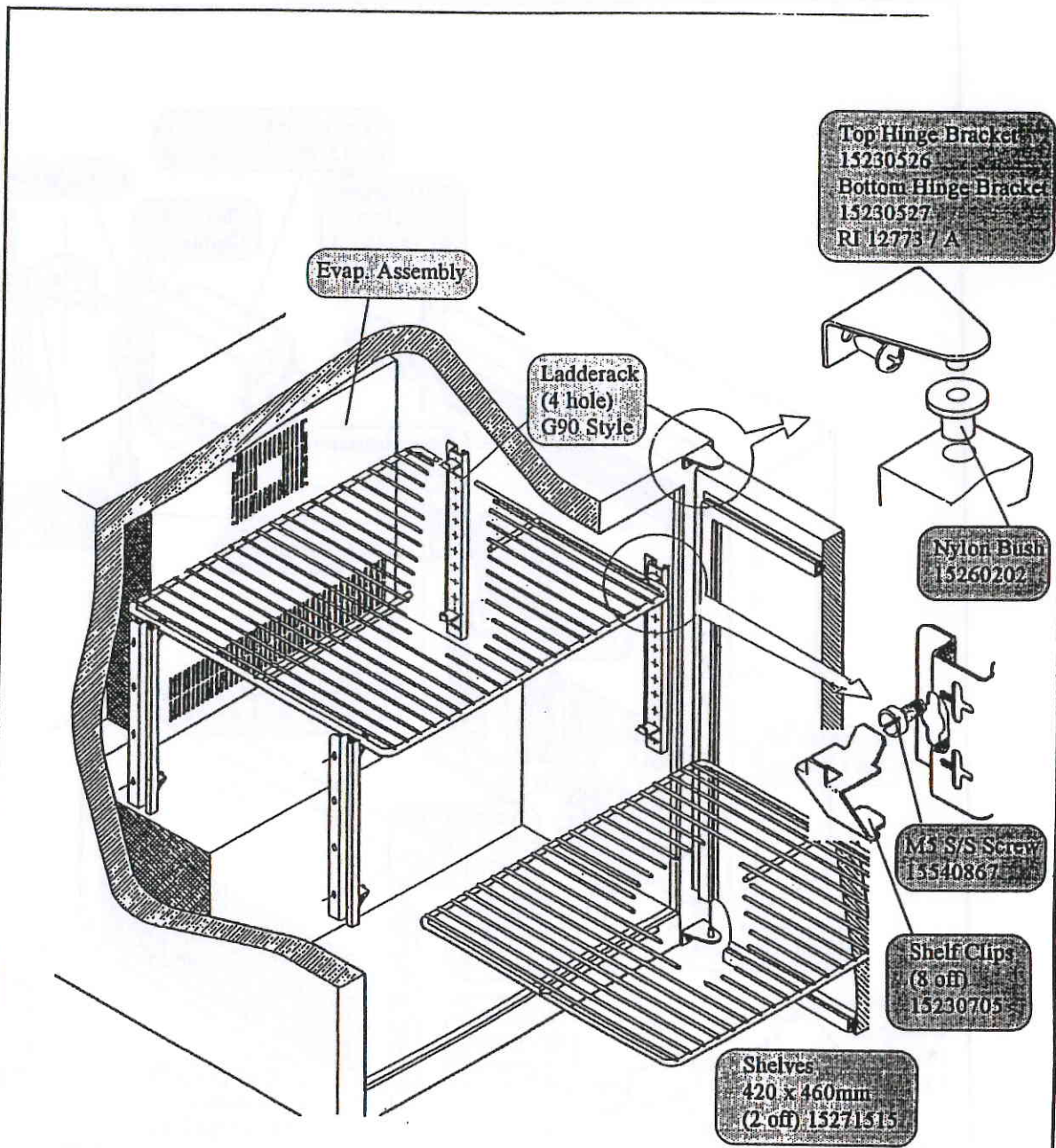
Under Counter Cabinets - HR 135 -F • PS 135 HU •

**Evaporator Coil Layout and Thermostat Probe Position -
HR 135-F and PS 135 HU**

12. EVAPORATOR COIL, AXIAL FAN, FRONT COVER AND DRAINPAN



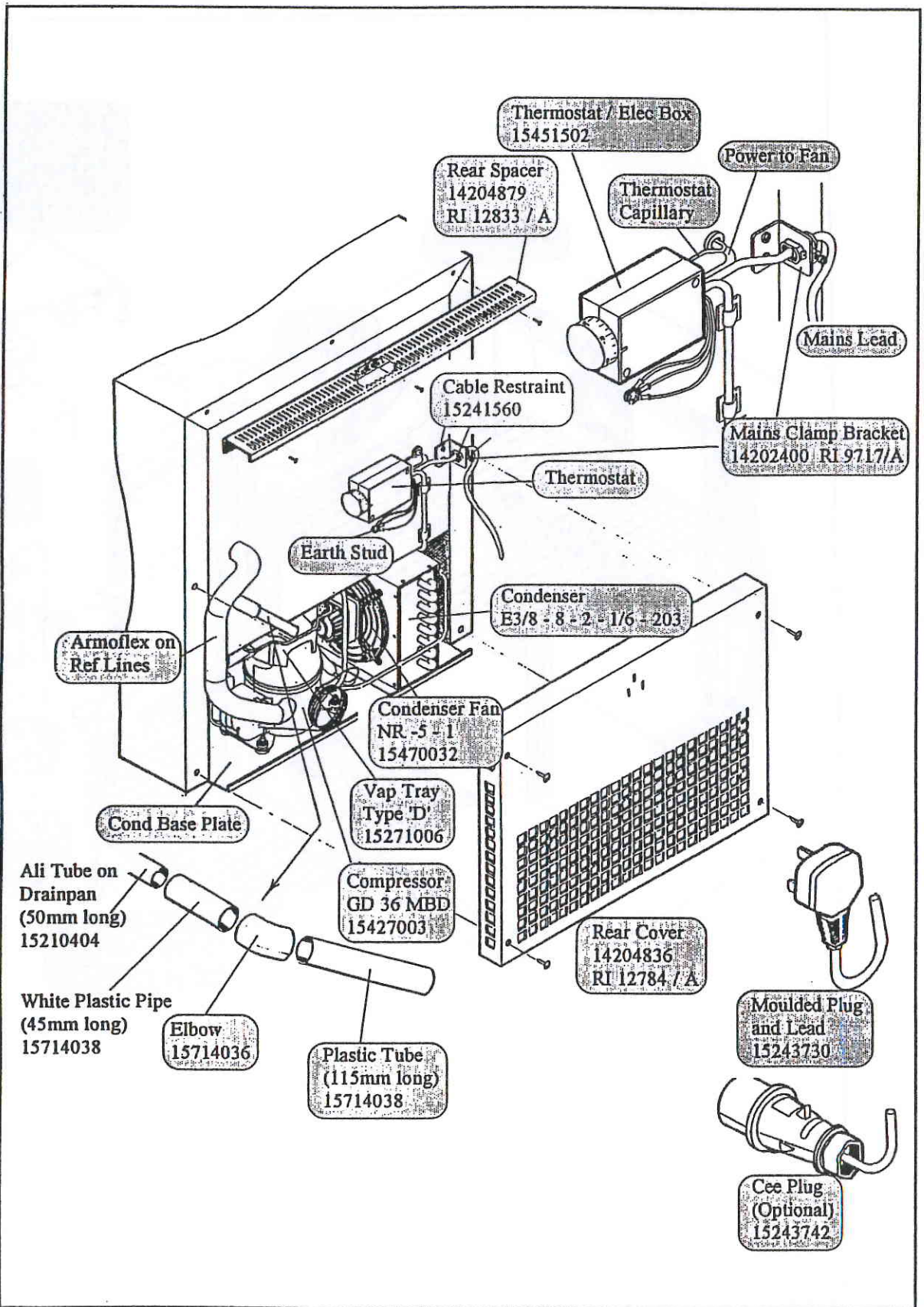
13. LADDERACK, SHELF AND HINGE DETAIL



Under Counter Cabinets - HR 135-F • LR 135-F • PS 135 HU • PS 135 LU

Ladderack, Shelf & Hinge Detail

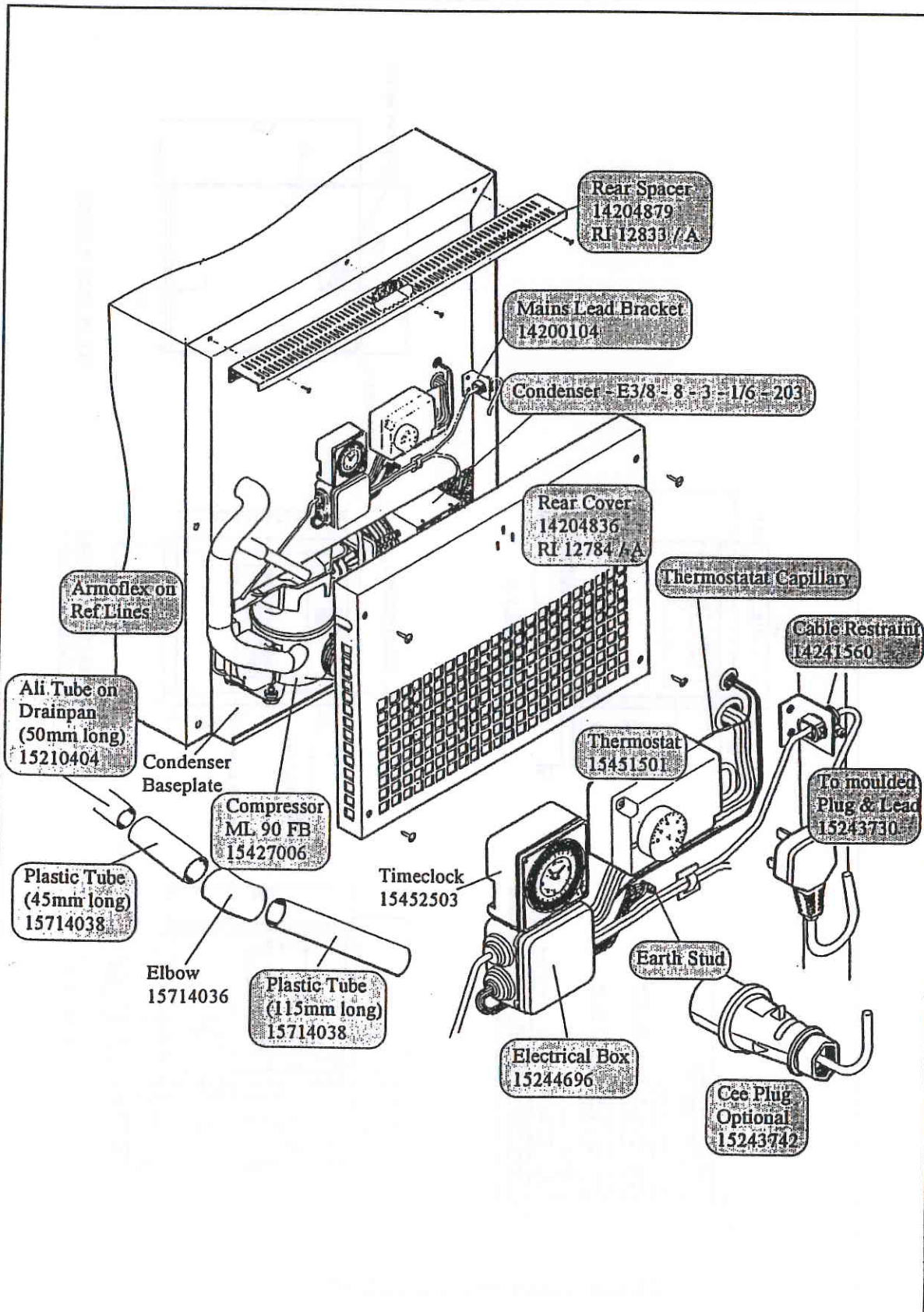
14. VIEW ON REAR OF HR-135-F AD PS-135-HU CABINETS



Under Counter Cabinets - HR 135 - F • PS 135 HU •

View on Rear of HR 135-F and PS 135 HU Cabinets

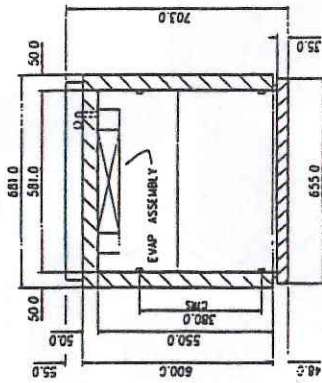
15. VIEW ON REAR OF LR-135-F AND PS-135-LU CABINETS



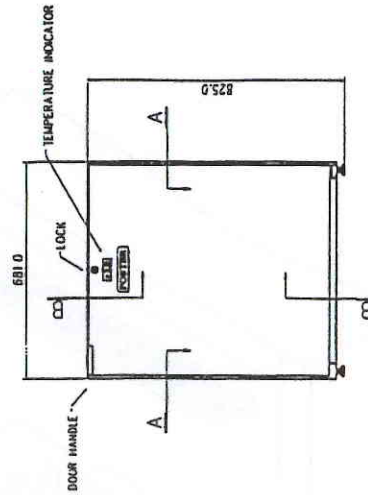
Under Counter Cabinets - LR 135-F • PS 135 LU

View on Rear of LR 135 - F and PS 135 LU Cabinets

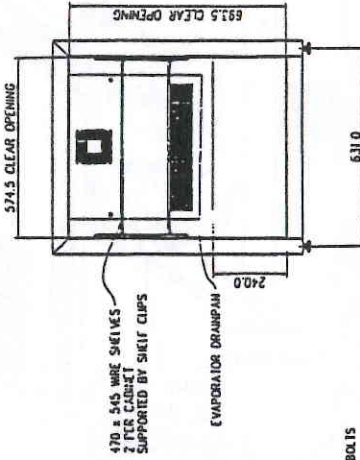
16. GENERAL ARRANGEMENT



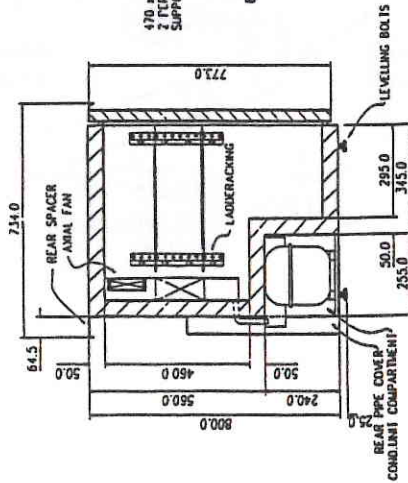
SECTION A-A



VIEW ON FRONT OF CABINET



VIEW ON FRONT OF CABINET
(DOOR OMITTED FOR CLARITY)



SECTION B-B

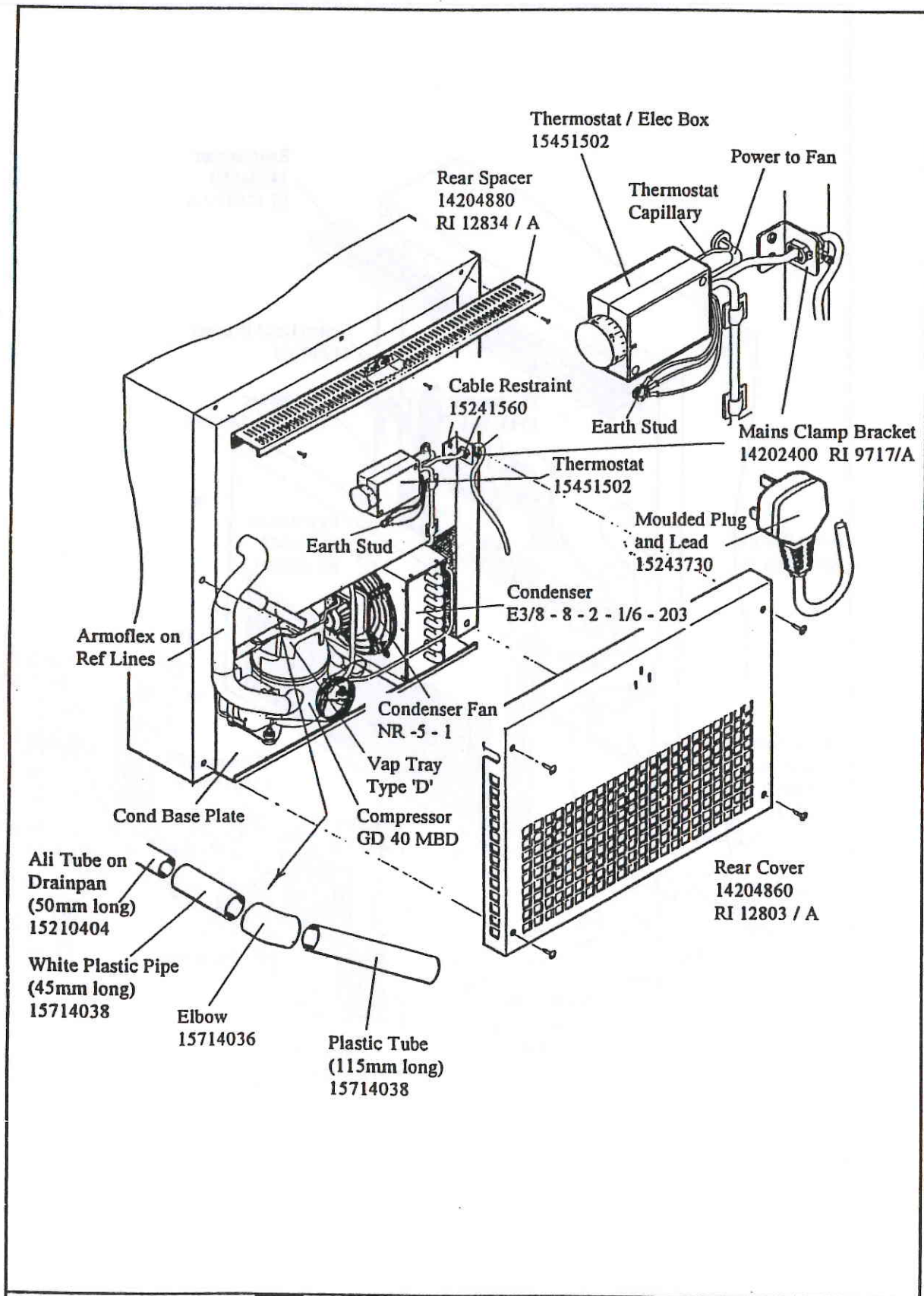
- Notes:-
1. Insulation is 50mm thick CFC free polyurethane foam
 2. The Net capacity 174 litres.
 3. Storage/Ambient temperature:-
Refrigerator - -18°C to -21°C
Ambient conditions 40°C .
 4. Cabinet finish (standard)
Exterior walls, top & doors - White laminate.
Exterior rear & base - Galvanneal M/Steel.
Interior - White laminate.
 5. Cabinet finish (optional):-
Exterior walls, top & doors - 4.30 S/Steel
Exterior rear & base - Galvanneal M/5 or 4.30 S/Steel.
 6. Refrigerants:-
Standard - R134a
Optional - R600a
 7. Electricals:- Standard 230v/1Ph/50Hz with optional 115/1/60, 270/1/60.
Cabinet will be supplied with 2 x nylon coated shelves & shelf clips as standard, with trays/slides optional
 8. Cabinets are fitted with leveling bolts (40mm Castors optional)
 9. Cabinets are fitted with Lock as standard

For details refer to latest issue of RI 12894

Under Counter Cabinets - HR 170 • LR 170 • PS 170 HU • PS 170 LU

General Arrangement

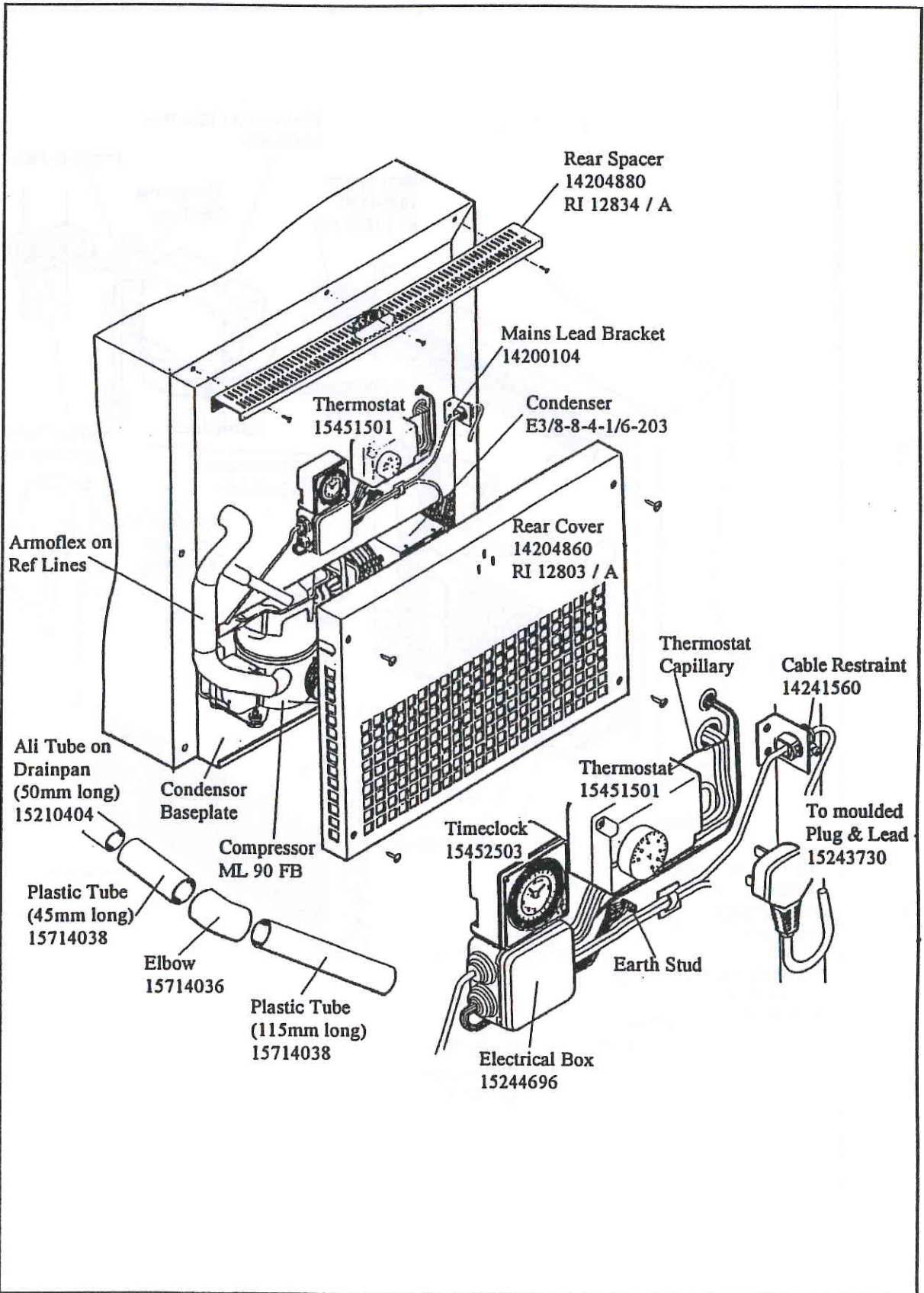
17. VIEW OF REAR OF HR-170 AND PS-170-HU CABINETS



Under Counter Cabinets - HR 170 • PS 170 HU •

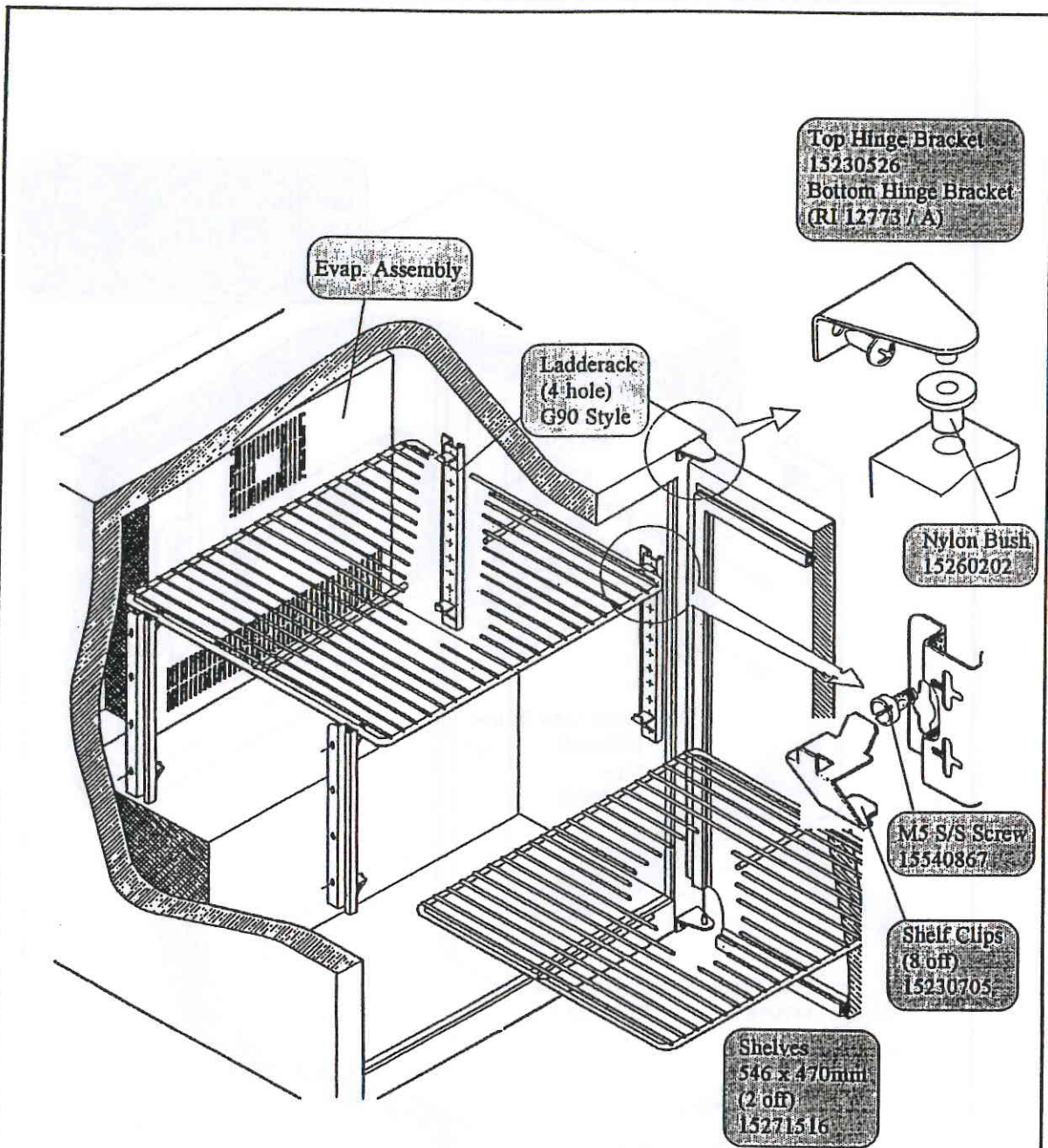
View on Rear of HR 170 and PS 170 HU Cabinets

18. VIEW OF REAR OF LR-170 AND PS-170-LU CABINETS



Under Counter Cabinets - LR 170 • PS 170 LU
View on Rear of LR 170 and PS 170 LU Cabinets

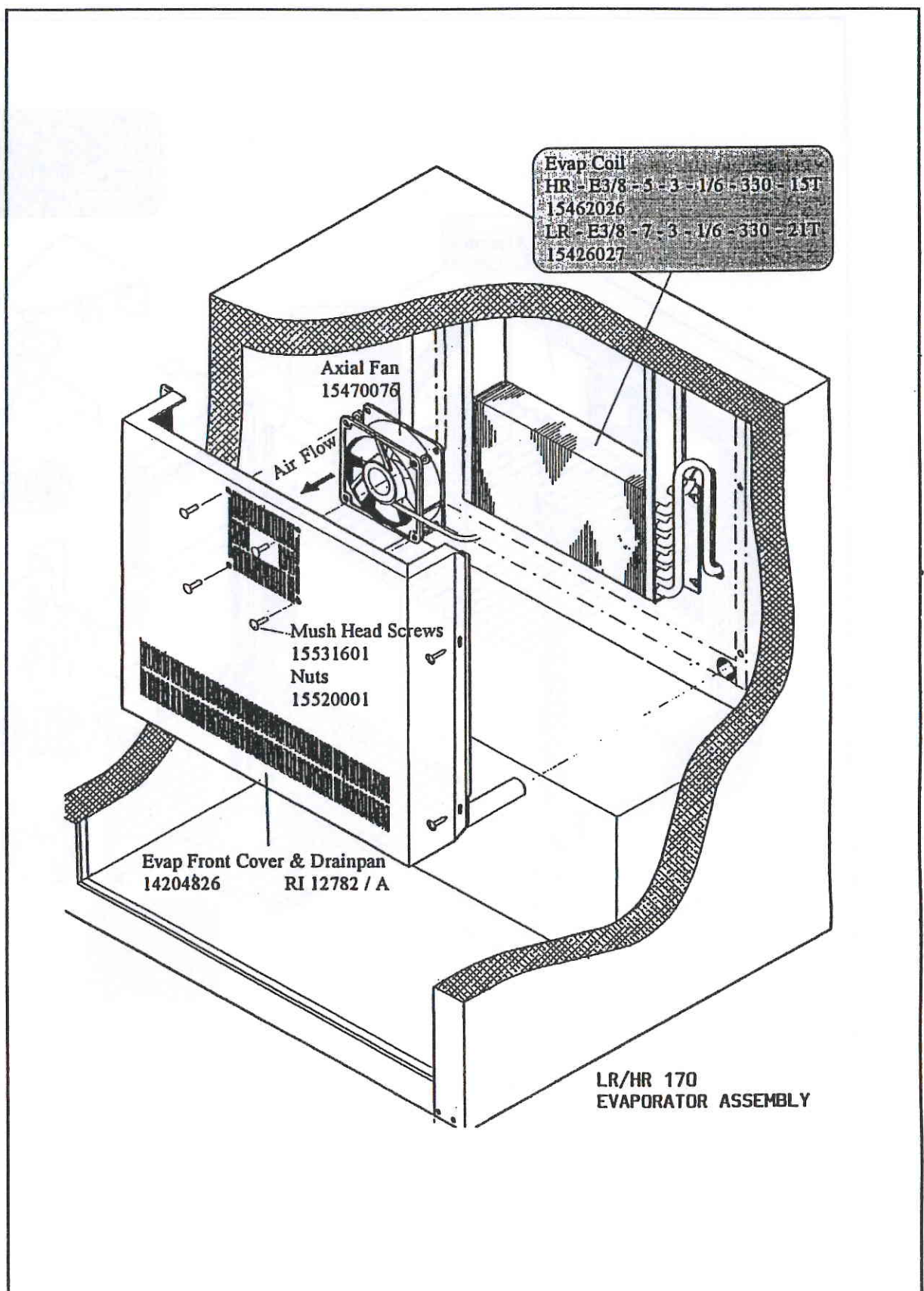
19. LADDERACK, SHELF AND HINGE DETAIL



Under Counter Cabinets - HR 170 • LR 170 • PS 170 HU • PS 170 LU

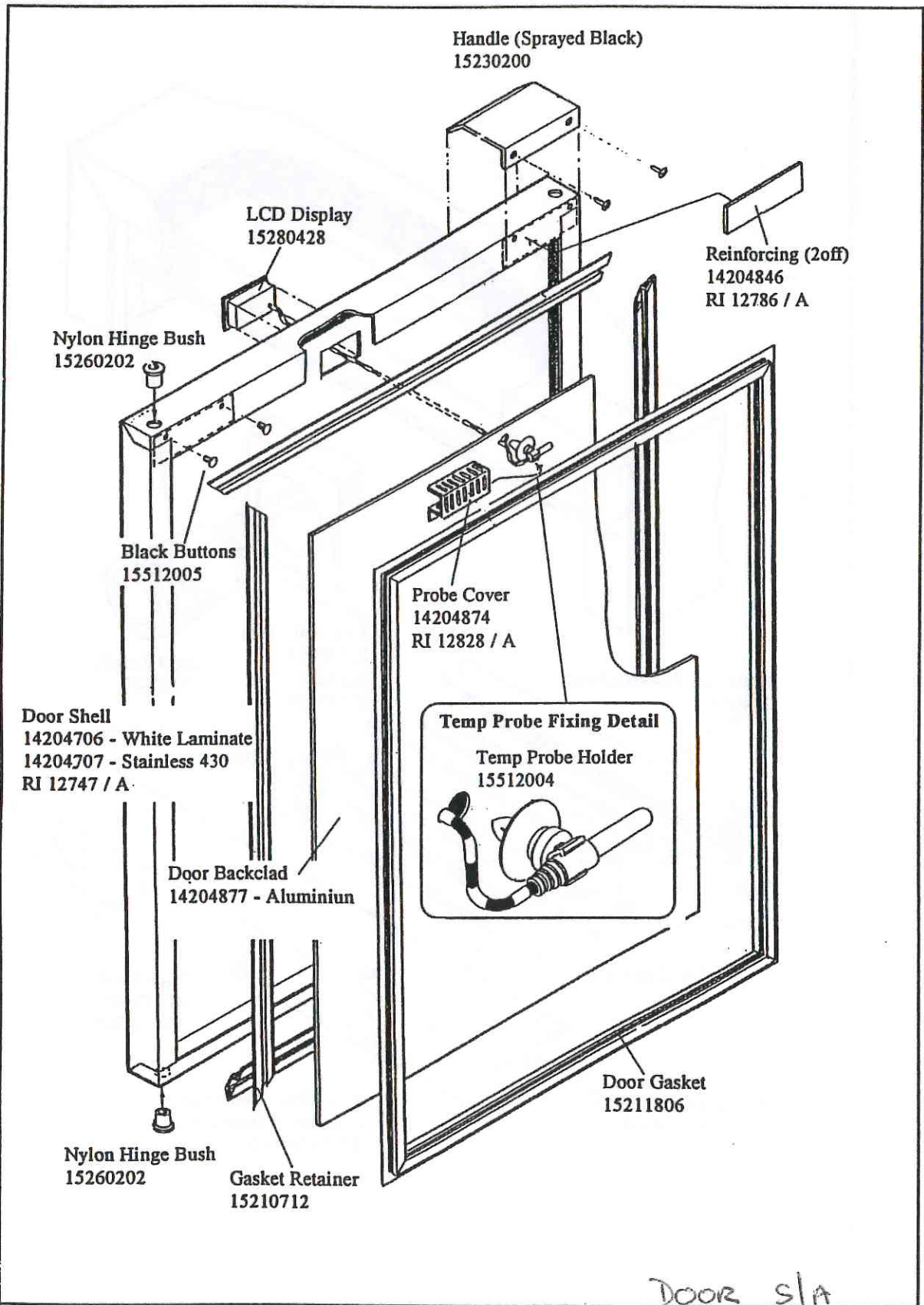
Ladderack, Shelf & Hinge Detail

20. EVAPORATOR COIL, AXIAL FAN, FRONT COVER AND DRAINPAN



Under Counter Cabinets - HR 170 • LR 170 • PS 170 HU • PS 170 LU
Evaporator Coil, Axial Fan, Front Cover & Drainpan

21. DOOR ASSEMBLY AND TEMPERATURE PROBE DETAILS



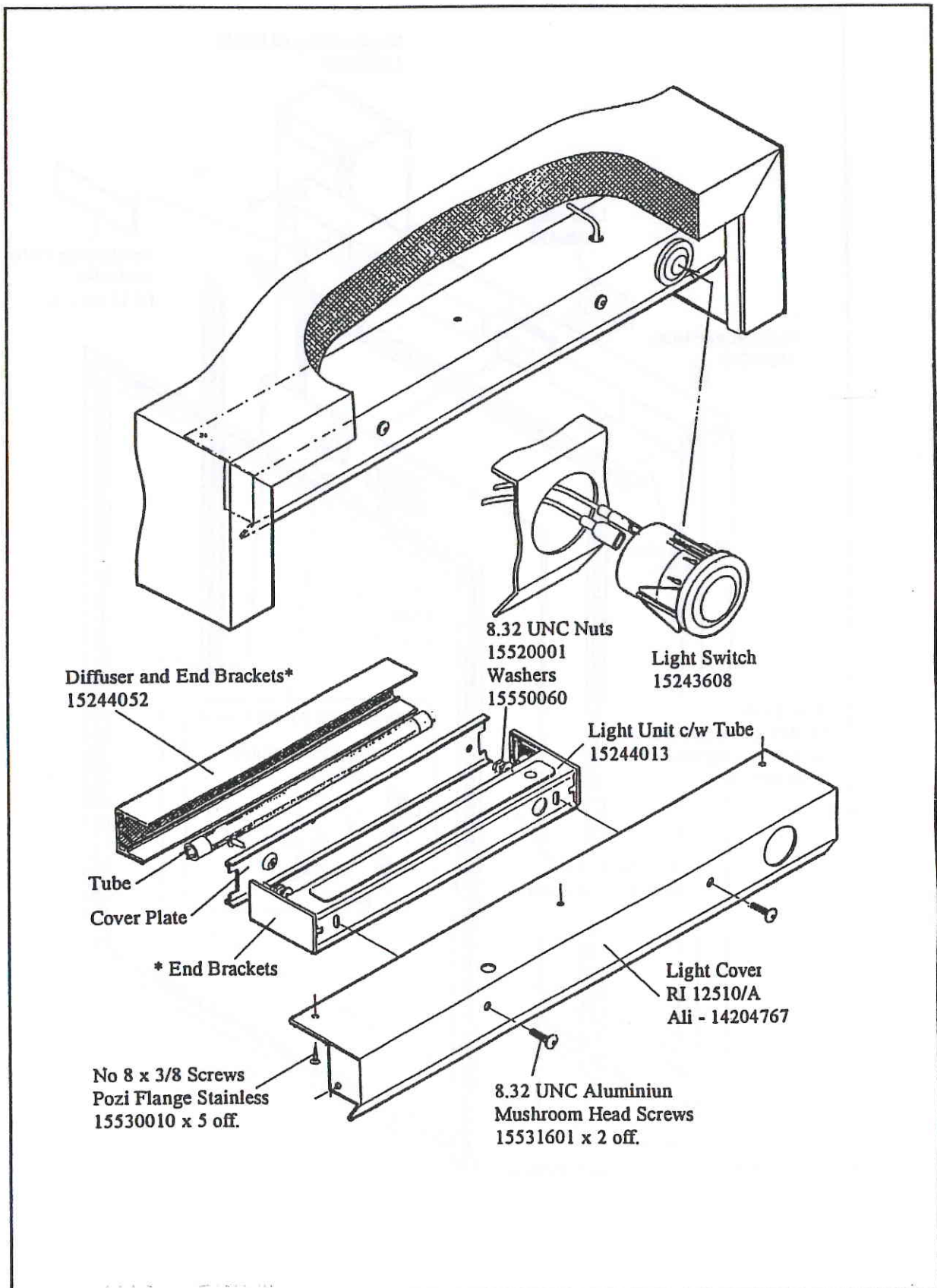
Under Counter Cabinets - HR 170 • LR 170 • PS 170 HU • PS 170 LU

Door Assembly & Temperature Probe Details

DOOR S/A

16051058
S/STEEL
16051058.

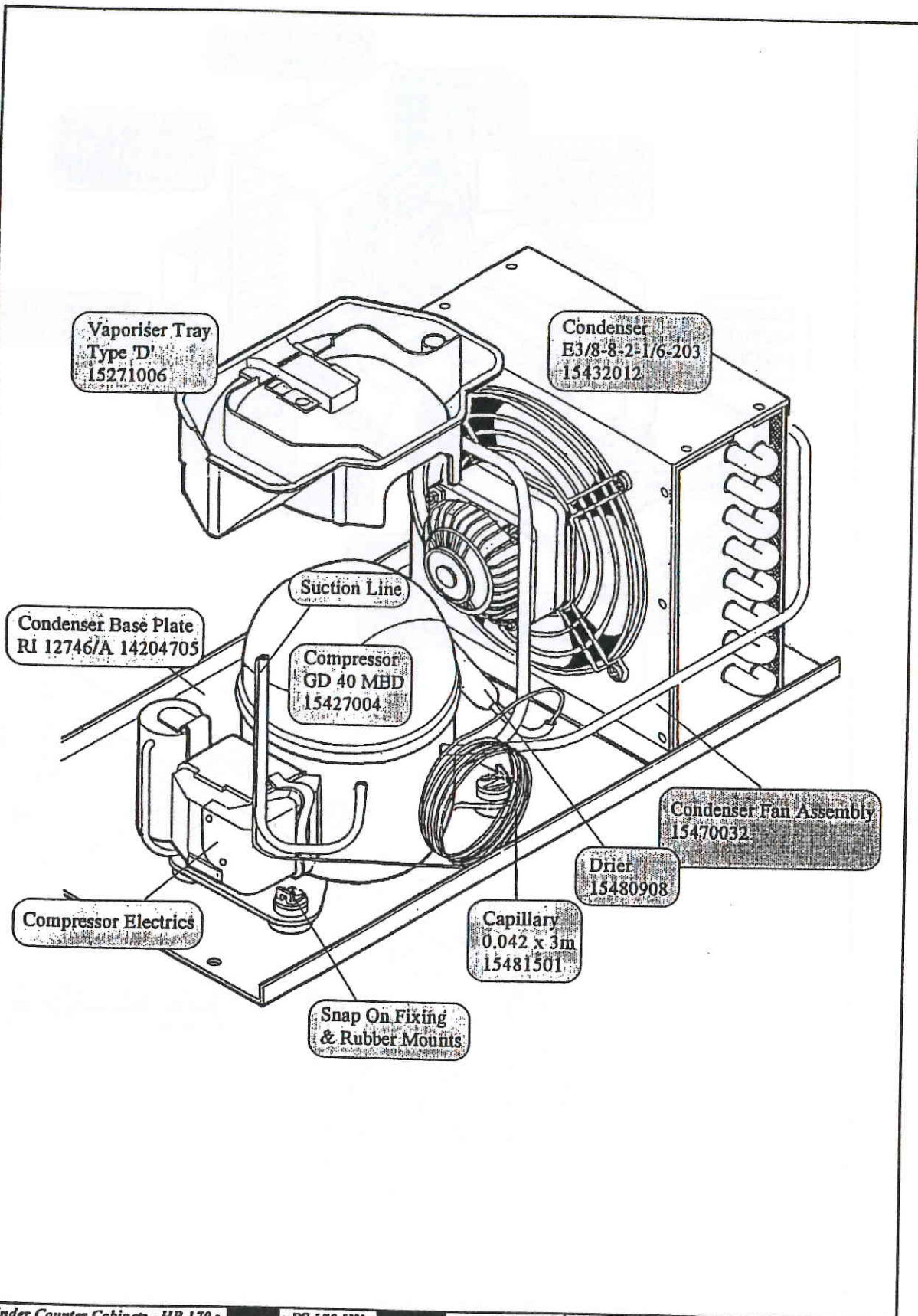
22. INTERIOR LIGHT FITTING DETAIL HR-170-UG



Under Counter Cabinets - HR 170 •

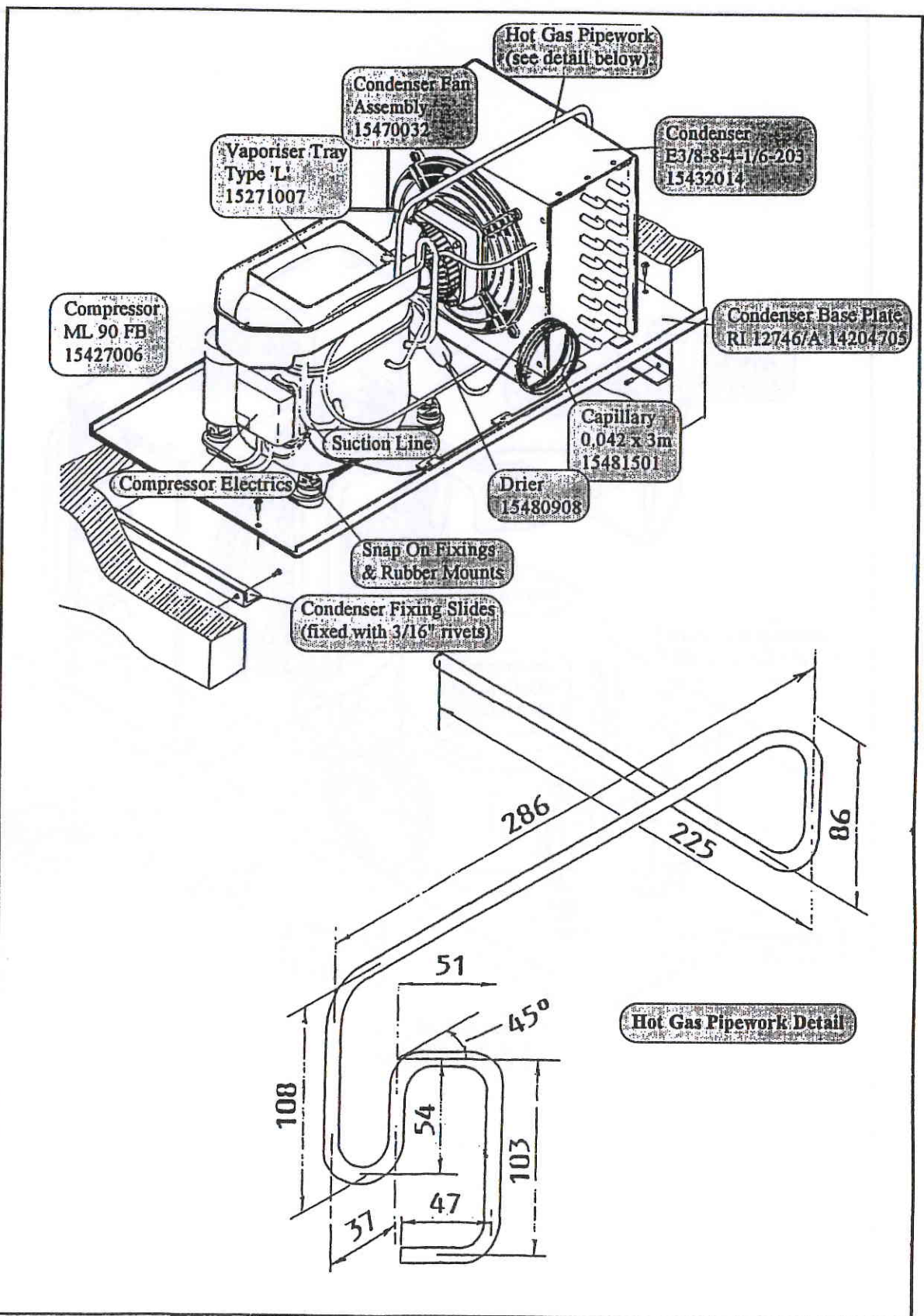
Interior Light Fitting Detail - HR 170 UG

23. CONDENSING UNIT LAYOUT HR-170 AND PS-170-HU



Under Counter Cabinets - HR 170 • PS 170 HU •
Condensing Unit Layout - HR 170 • PS 170 HU

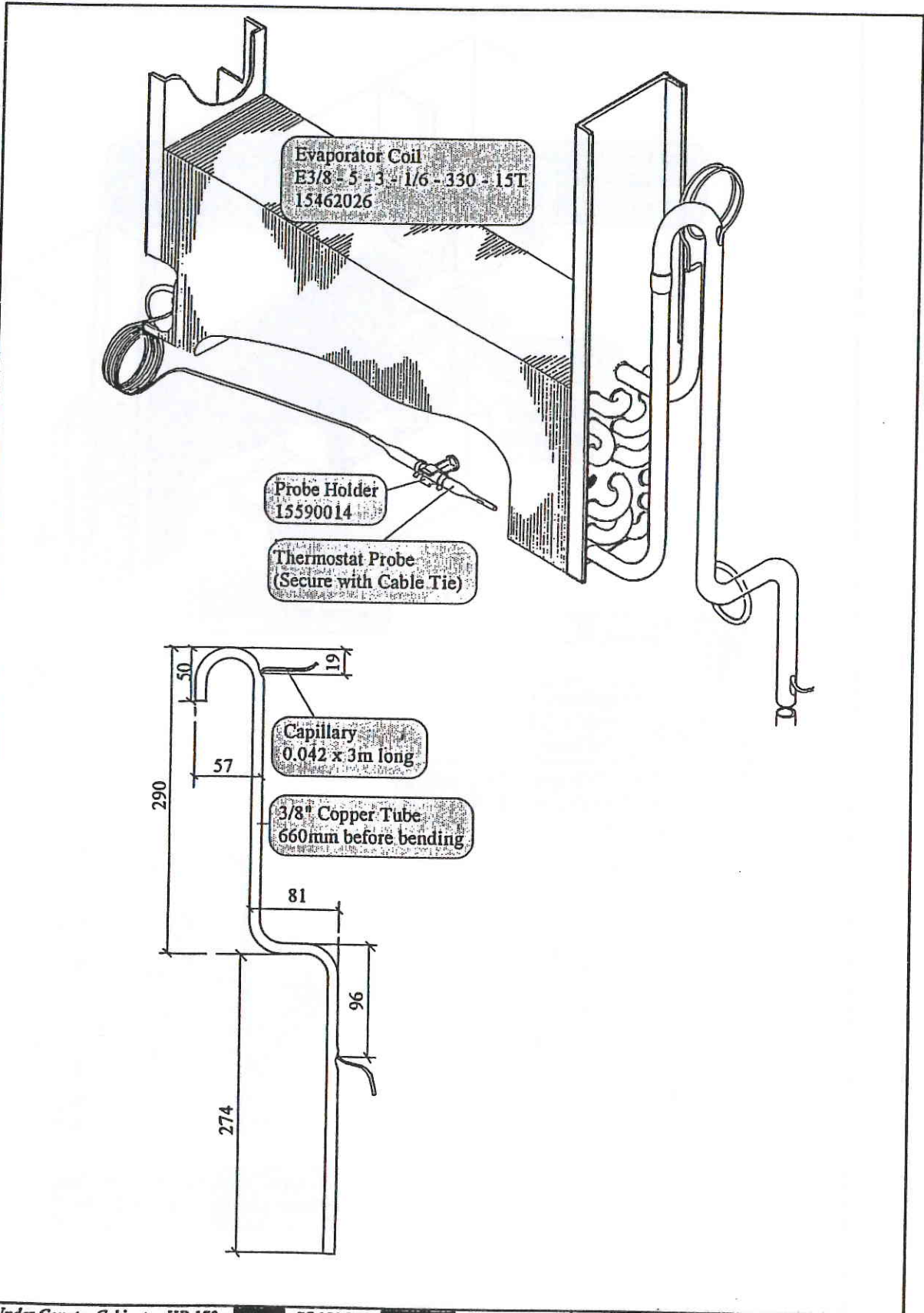
24. CONDENSING UNIT LAYOUT LR-170 AND PS-170-LU



Under Counter Cabinets - LR 170 - PS 170 LU

Condensing Unit Layout - LR 170 and PS 170 LU

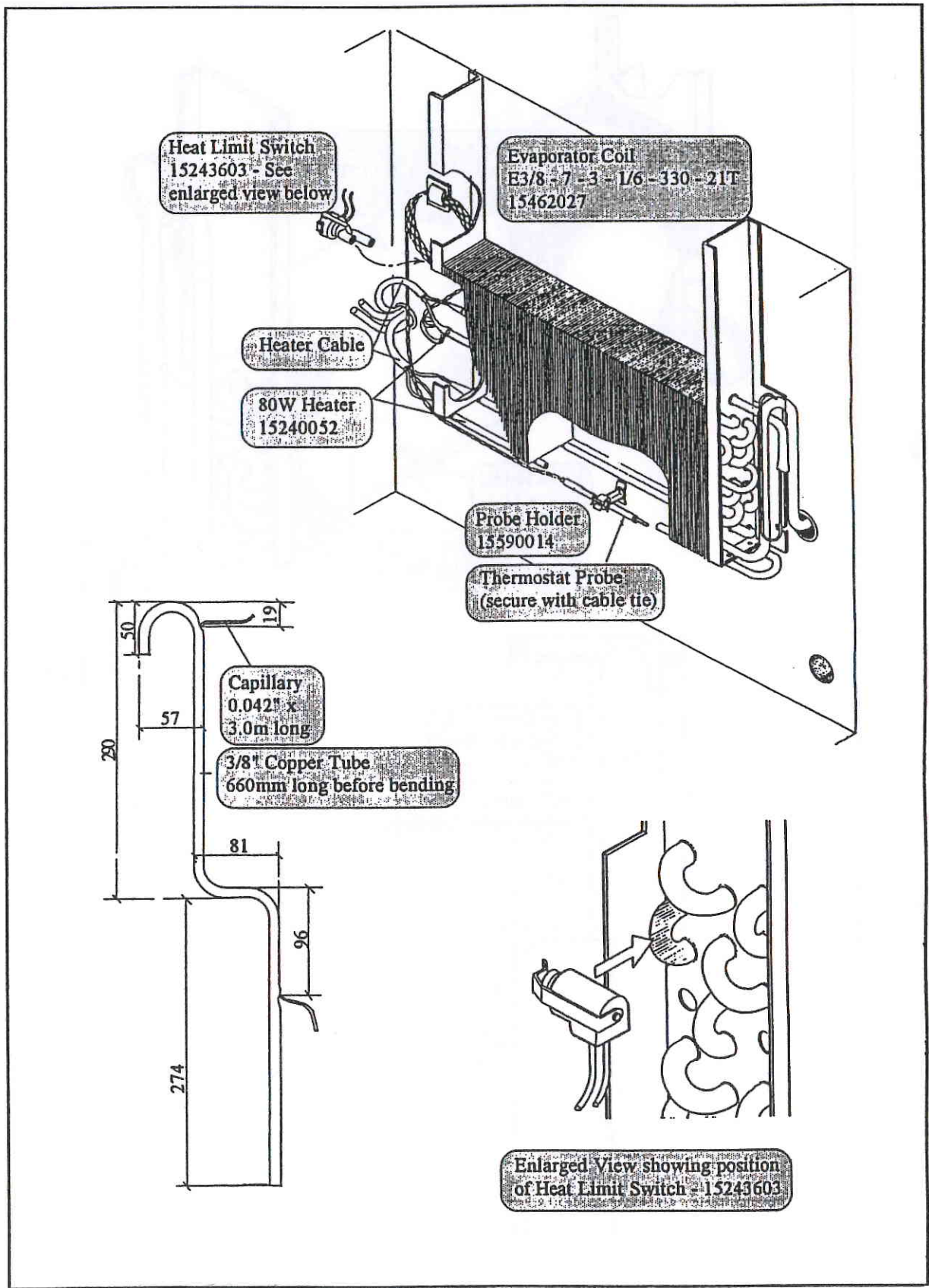
25. EVAPORATOR COIL DETAILS HR-170 AND PS-170-HU



Under Counter Cabinets - HR 170 • PS 170 HU •

Evaporator Coil Details - HR 170 and PS 170 HU

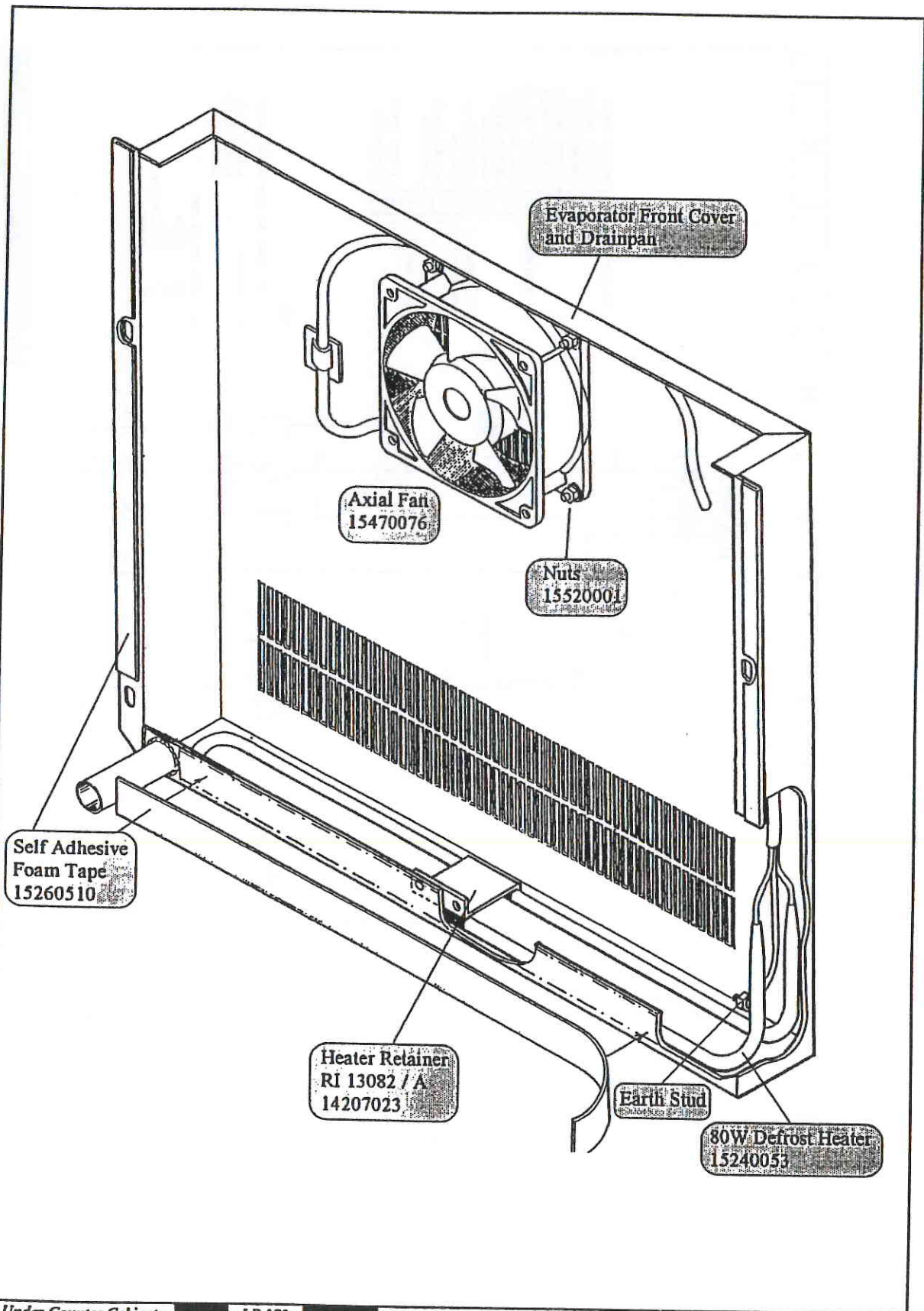
26. EVAPORATOR COIL DETAILS LR-170 AND PS-170-LU



Under Counter Cabinets - LR 170 • PS 170 LU

Evaporator Coil Details - LR 170 and PS 170 LU

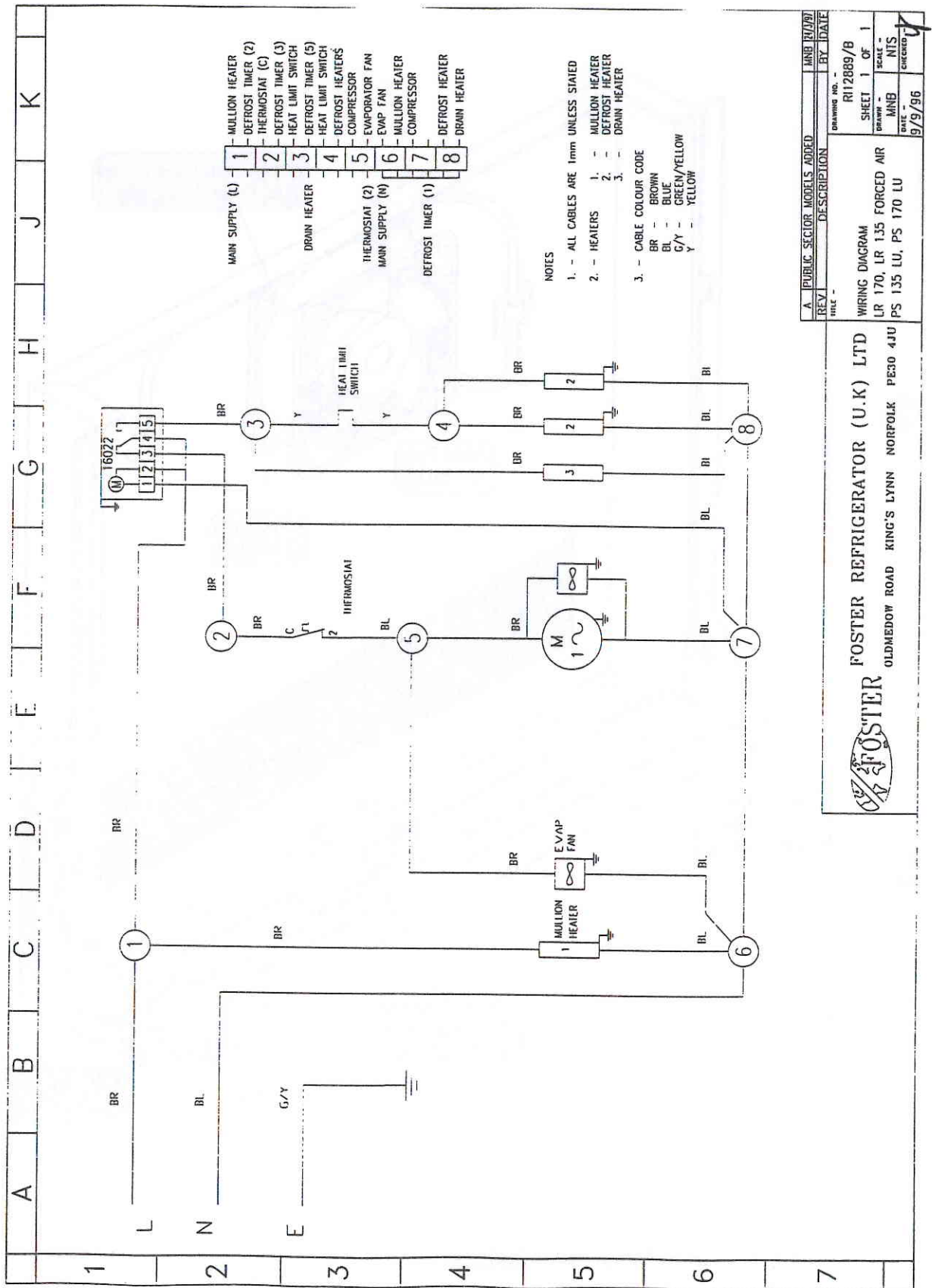
27. EVAPORATOR COIL COVER AND DRAINPAN HEATER DETAIL



Under Counter Cabinets - LR 170 - PS 170 LU

Evaporator Coil Cover and Drainpan Heater Detail

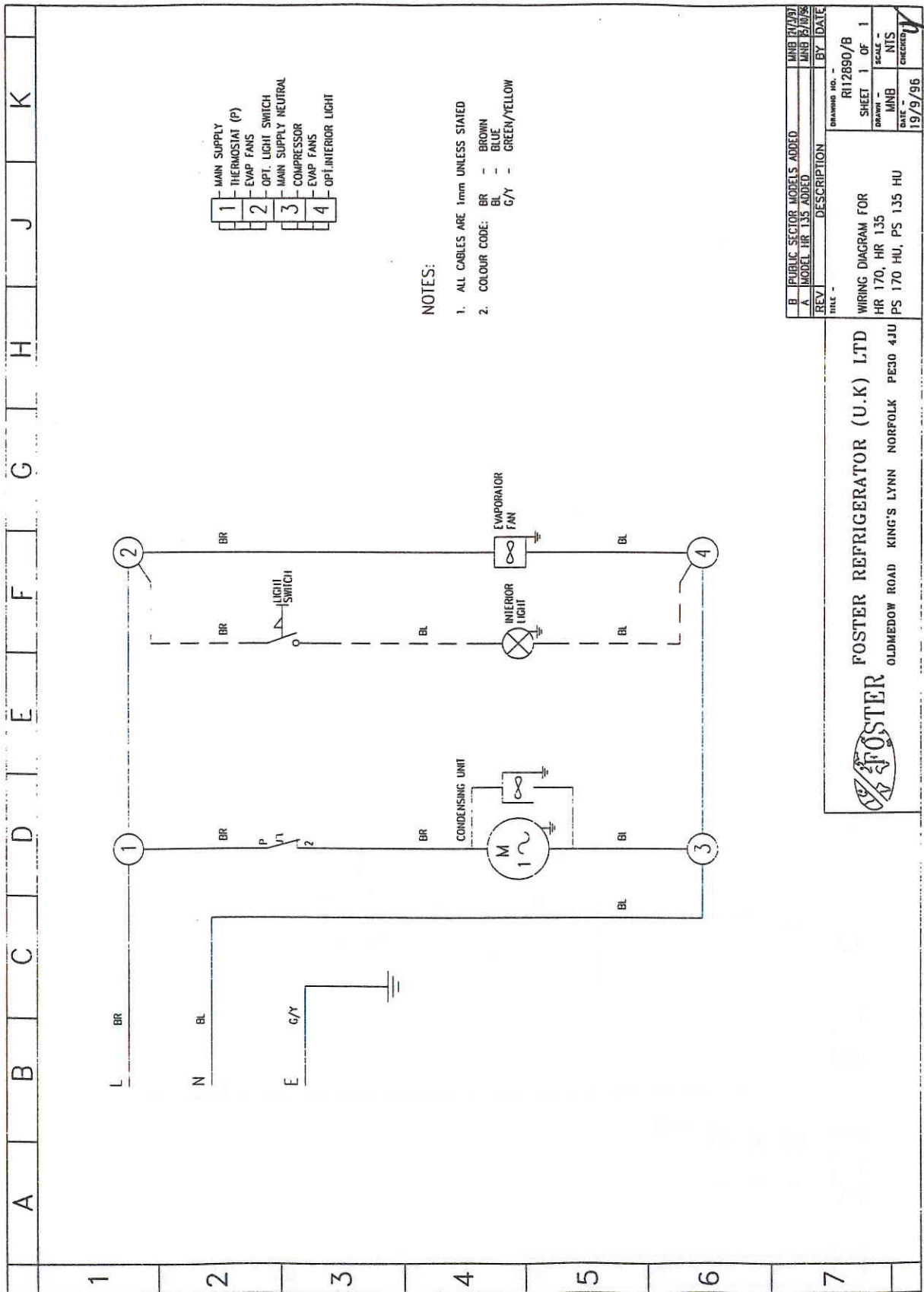
28. WIRING DIAGRAM



FOSTER REFRIGERATOR (U.K) LTD
 OLDMEADOW ROAD KING'S LYNN NORFOLK PE30 4JU



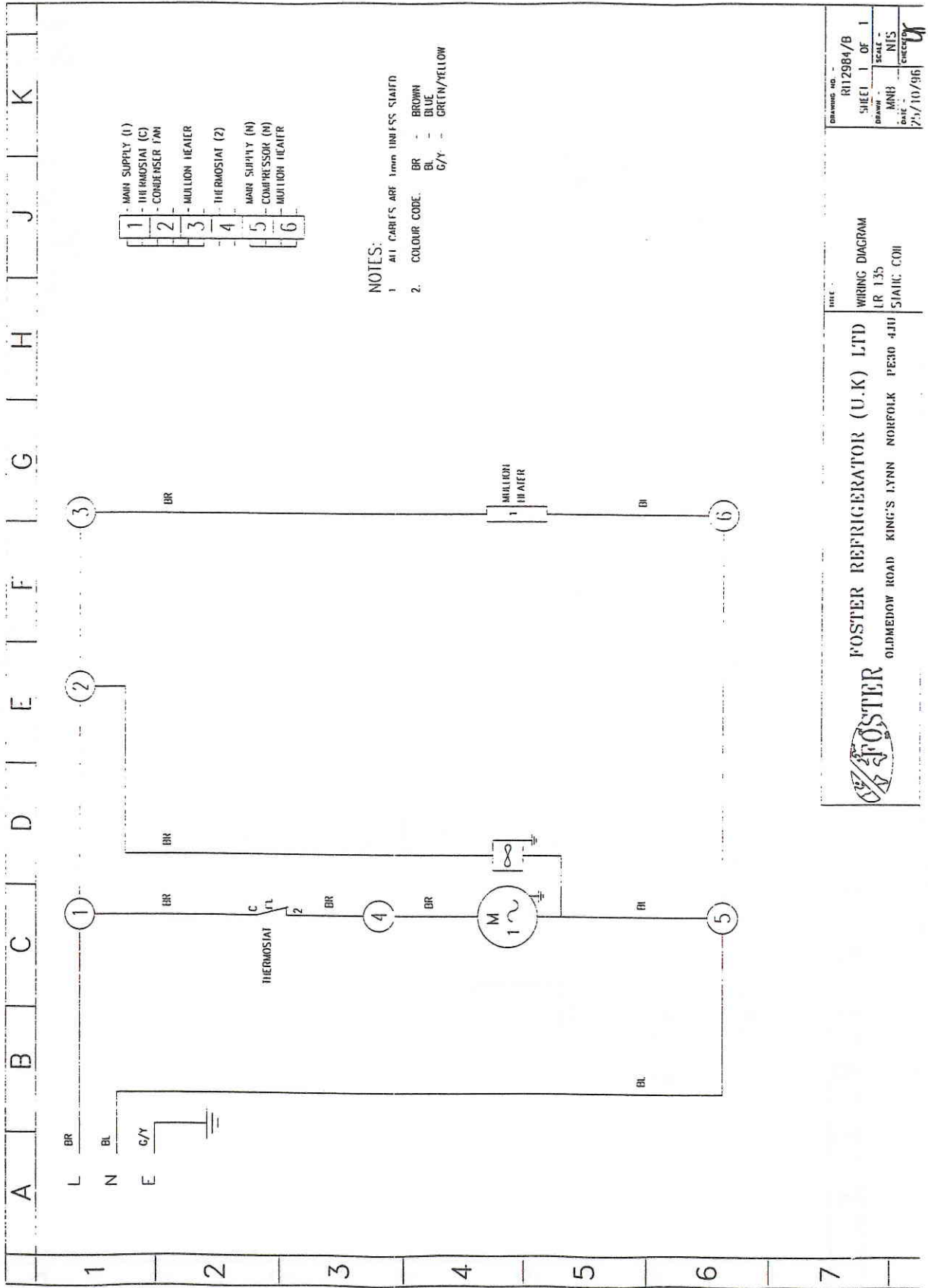
28 WIRING DIAGRAM



REV	DESCRIPTION	DATE	BY	CHECKED
DRAWING NO. -		MNB 17/97		
TITLE -		MNB 17/98		
B. PUBLIC SECTOR MODELS ADDED		R12890/B		
A. MODEL HR 135 ADDED		SHEET 1 OF 1		
DESCRIPTION		DRAWN - MNB		
WIRING DIAGRAM FOR		SCALE - NTS		
HR 170, HR 135		DATE - 19/9/96		
PS 170 HU, PS 135 HU		CHECKED - y		

FOSTER
 FOSTER REFRIGERATOR (U.K) LTD
 OLDMEADOW ROAD KING'S LYNN NORFOLK PE30 4JU

28. WIRING DIAGRAM



FOSTER

FOSTER REFRIGERATOR (U.K.) LTD
 OLDMEADOW ROAD KING'S LYNN NORFOLK PE30 4JU

DRAWING NO.	RT2984/B
SHEET	OF 1
DRAWN	MNH
SCALE	N/S
DATE	25/10/96

