

# Top Loading Meatwell Freezer LC-125



# Service Manual



# LC-125

## Service Manual

---

### CONTENTS

	Page
1. General Arrangement	3
2. Wiring Diagram	4
3. Top Cover Assembly	5
4. Refrigeration and Electrical Component Assembly	6
5. Probe, Probe Cover and Corner Bump Location	7

### LC-125

The LC-125 is a top loading meatwell freezer designed for storage of frozen products.

The cabinet's construction consists of a one piece CFC free foamed shell with the condensing unit compartment situated at the base of the cabinet.

The cabinet storage temperature is designed to operate at  $-18^{\circ}\text{C}/-21^{\circ}\text{C}$  in an ambient of  $43^{\circ}\text{C}$ .

The interior and exterior of the cabinet is manufactured from 304 Stainless Steel.

The cabinet is designed with a self closing top cover incorporated in the top lid which can be completely removed for ease of cleaning.

The cabinet has four 75mm castors fitted as standard with the option of 100mm legs if required.

Incorporated on the front of the cabinet is an LCD thermometer.

The refrigeration system consists of a coiled liner and R134a refrigerant is standard. On the face of the cabinet there is fitted an LCD digital thermometer which allows the end user at a glance inspection of temperature of the cabinet.

Temperature control is by means of a thermostat positioned in the unit compartment at the base of the cabinet.

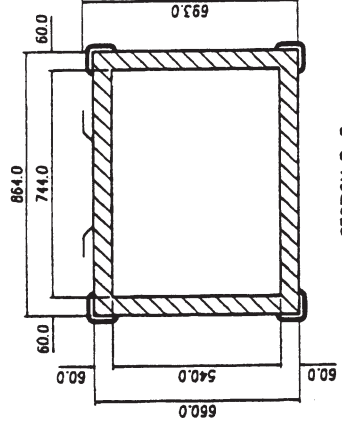
Defrosting is a manual operation on these cabinets.

### Technical Data

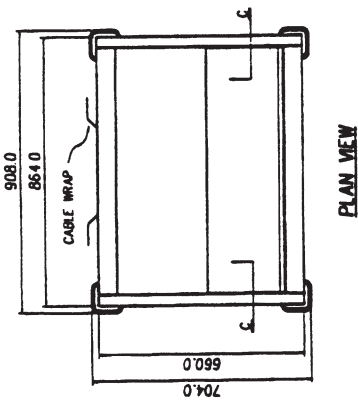
	Refrig	Cubic capacity	Cap length	Electrical load	Max. ambient
LC-125	R134A (200g)	125 litre	0.031 × 3m	0.0253kW	$43^{\circ}\text{C}$

# 1. GENERAL ARRANGEMENT

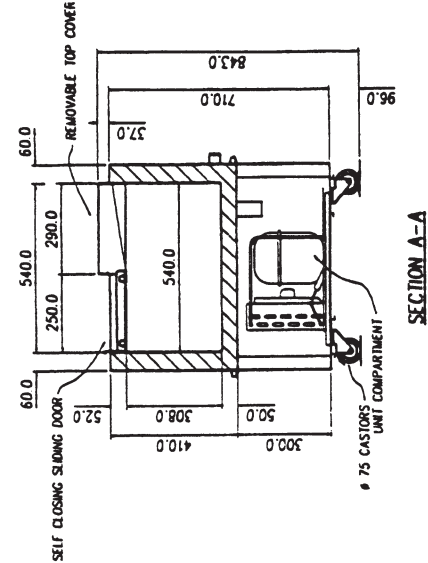
- NOTES:-**
1. Insulation is C.F.C. free polyurethane foam.
  2. Net capacity 124 litres.
  3. Mesh - Interior/Exterior - 18/-21°C in a 10°C Ambient.
  4. Switches - 240V/50 as standard.
  5. Electric - 240V/50 as standard.
  6. Cabinets are to be fitted with #75 castors as standard.



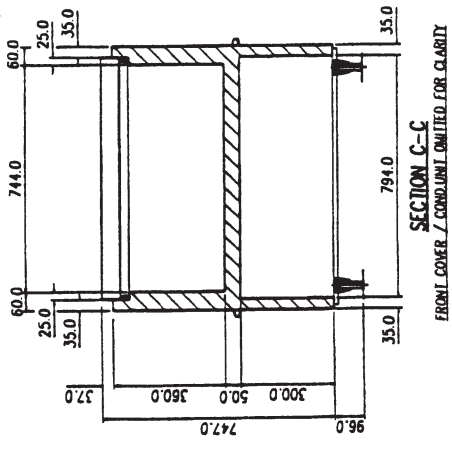
**SECTION B-B**  
SLIDING DOOR / TOP COVER OMITTED FOR CLARITY



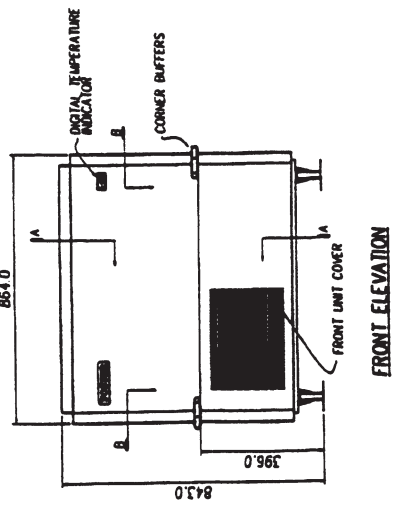
**PLAN VIEW**



**SECTION A-A**



**SECTION C-C**  
FRONT COVER / CONDENSER OMITTED FOR CLARITY



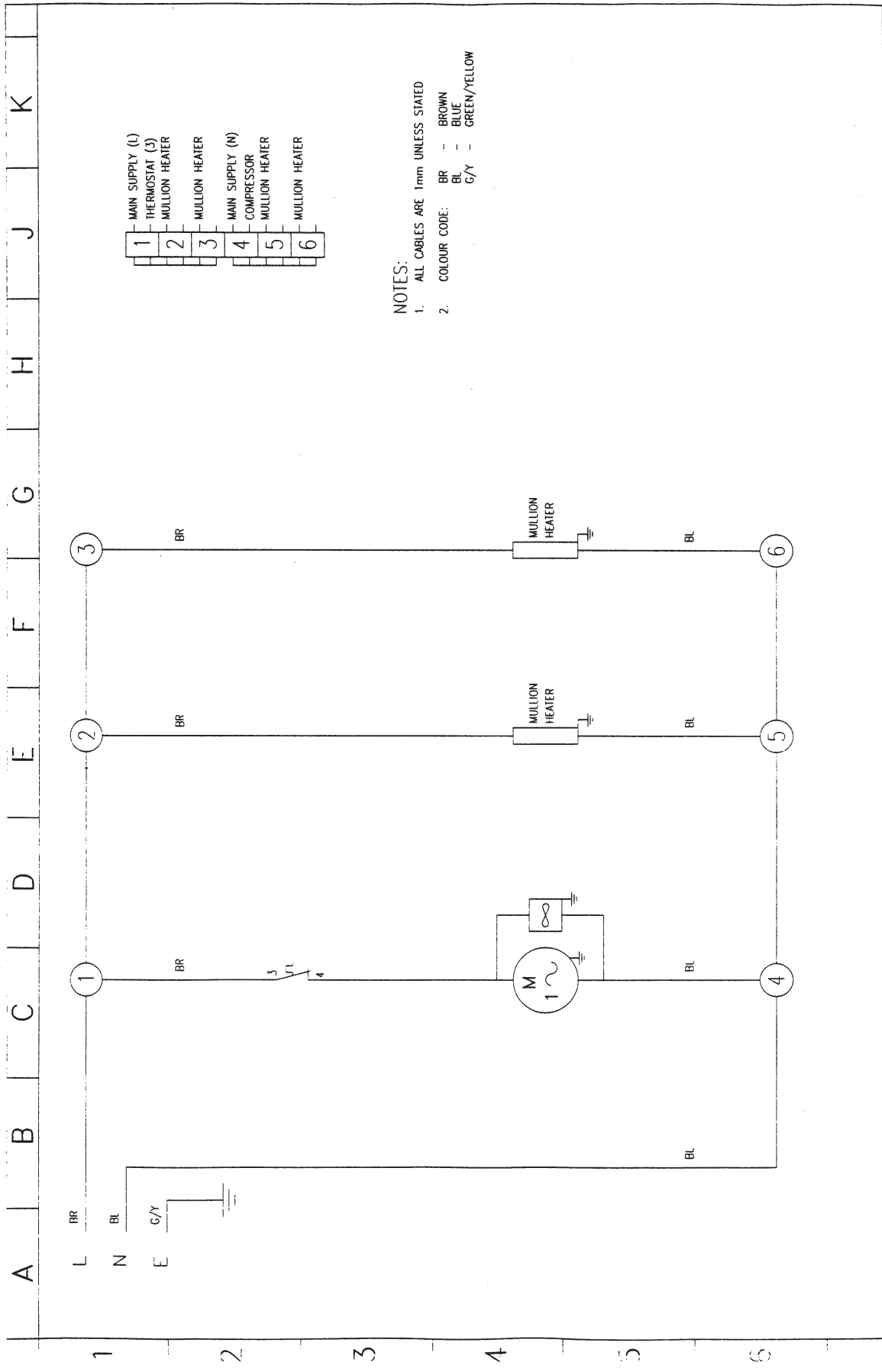
**FRONT ELEVATION**

For detail refer to latest issue of **Drp RI 12630**

Burger King Chest Storage Freezer - LC 125

## General Arrangement

# 2. WIRING DIAGRAM

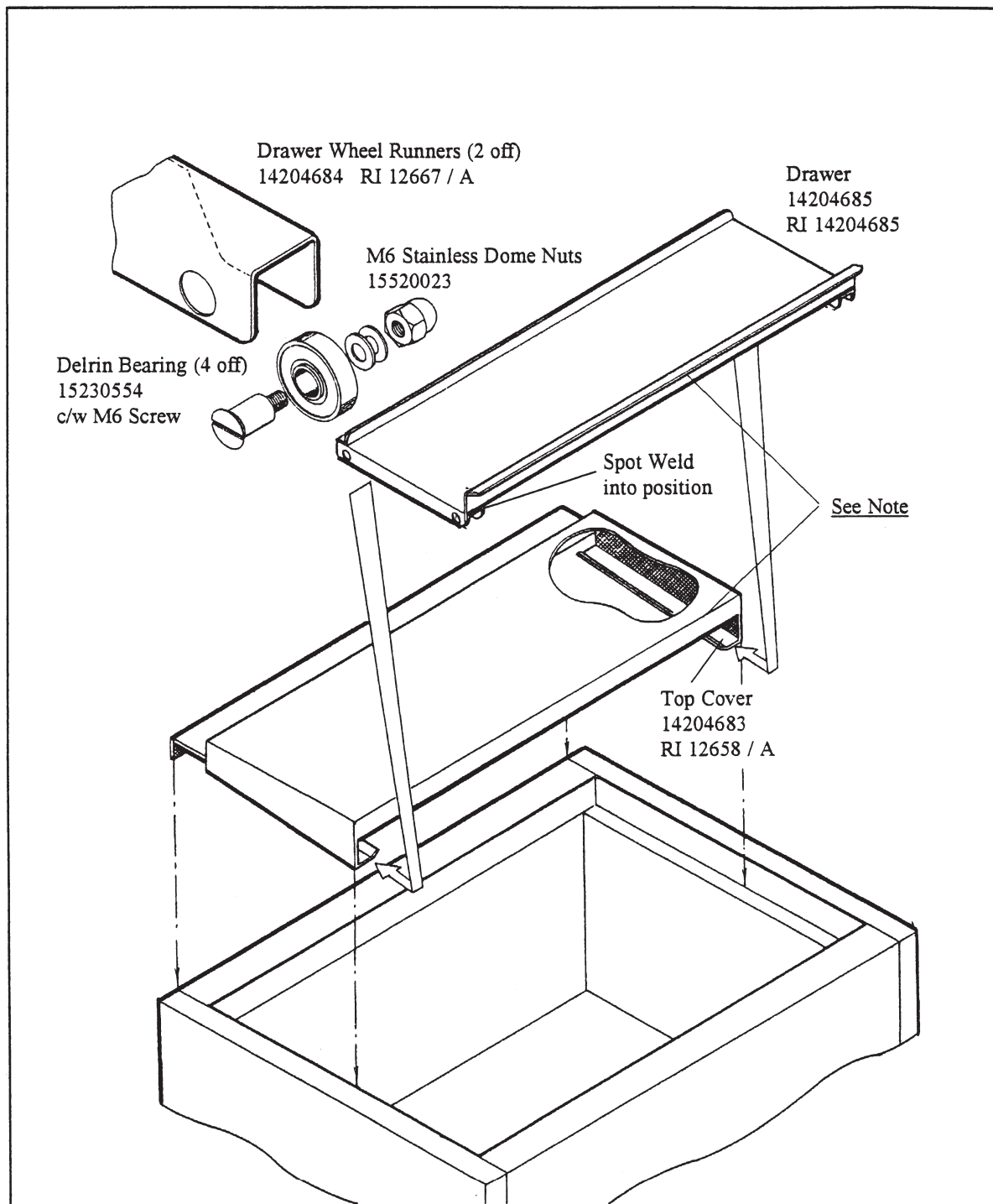


**NOTES:**

1. ALL CABLES ARE 1mm UNLESS STATED
2. COLOUR CODE: BR = BROWN  
BL = BLUE  
G/Y = GREEN/YELLOW

DRAWING NO. - R112891/B	
SHEET 1 OF 1	
DRAWN - MNB	SCALE - NIS
DATE - 15/10/96	CHECKED - <i>[Signature]</i>
TITLE - WIRING DIAGRAM	
LC 125	
FOSTER REFRIGERATOR (U.K) LTD	
OLDMEADOW ROAD KING'S LYNN NORFOLK PE30 4JU	

### 3. TOP COVER ASSEMBLY

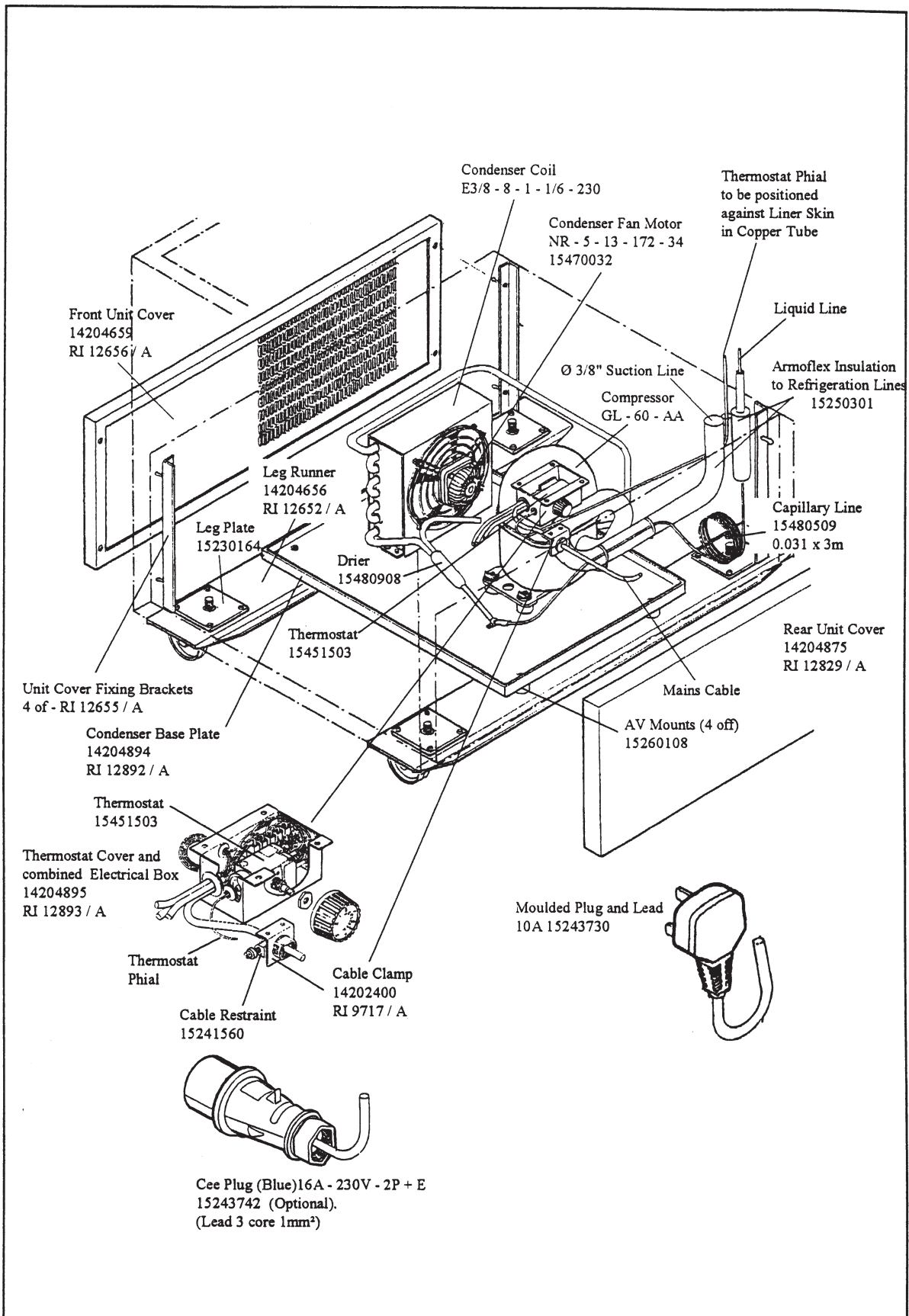


Note  
Top Cover / Drawer & Runners  
must be thoroughly de - burred  
after welding.

*Burger King Chest Storage Freezer - LC 125*

*Top Cover Assembly*

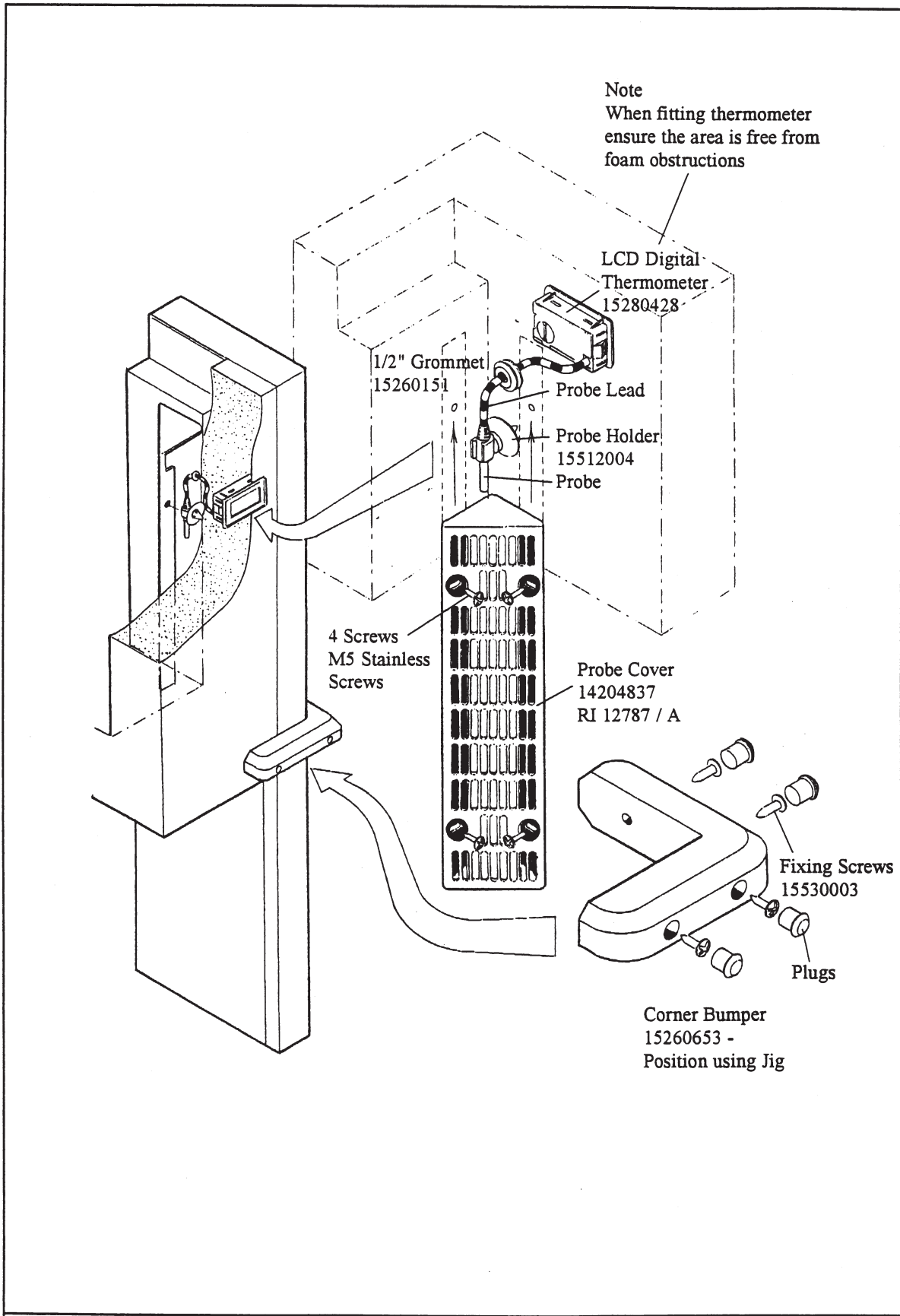
## 4. REFRIGERATION AND ELECTRICAL COMPONENT ASSEMBLY



*Burger King Chest Storage Freezer - LC 125*

***Refrigeration & Electrical Component Assembly***

## 5. PROBE, PROBE COVER AND CORNER BUMPER LOCATION



Burger King Chest Storage Freezer - LC 125

*Probe, Probe Cover and Corner Bumper Location*

## Foster European Operations

### France

Foster Refrigerator France SA  
Tel: 33 (01) 34 302222. Fax: 33 (01) 30 376874.

### Germany

Foster Refrigerator GmbH  
Tel: 49 (202) 64780. Fax: 49 (202) 643044.

### Austria

Foster Refrigerator Austria  
Tel: 43 (1) 815 1511. Fax: 43 (1) 813 29 36.

### Spain/Portugal

Foster Refrigerator (Iberica)  
Tel: 34 (43) 463222. Fax: 34 (43) 463246.

### Holland

Hobart Foster Holland BV  
Tel: 31 (348) 433 331. Fax: 31 (348) 430 117.

### Belgium

Hobart Foster Belgium NV  
Tel: 32 (16) 606040. Fax: 32 (16) 605988.

### Denmark

Hobart Foster Danmark A/S  
Tel: 45 (98) 141199. Fax: 45 (98) 141703.

### Norway

Hobart Foster Norge A/S  
Tel: 47 (67) 533878. Fax: 47 (67) 536742.

### Sweden

Hobart Foster Sverige AB  
Tel: 46 (86) 280030. Fax: 46 (86) 280024.

## PMI FEG Offices

### Asia/Pacific

PMI Food Equipment Group (Hong Kong) Ltd  
Tel: (852) 3419315. Fax: (852) 3413914.

### Middle East

PMI Food Equipment Group (Dubai)  
Tel: 971 (4) 497393. Fax: 971 (4) 448232.

### Japan

PMI Food Equipment Group (Japan) Inc  
Tel: 81 (3) 37443511. Fax: 81 (3) 37444011.

### Malaysia

PMI Food Equipment Group (Malaysia) Inc  
Tel: 603 780 6779. Fax: 603 781 4535.

### Singapore

PMI Food Equipment Group (Singapore) Inc  
Tel: 65 665 0487. Fax: 65 665 0487.

## IMPORTANT:

### To the installer

Installation of these units should be carried out by a competent person and the appropriate codes of practice adhered to, thus ensuring safe installation.

### To the user

**Do not discard this document:** it contains important guidelines on loading, cleaning and maintenance and should be kept for reference.

**Foster Refrigerator Group of Companies,**  
Oldmedow Road, King's Lynn,  
Norfolk, PE30 4JU  
England

Tel: 01553 691122  
Fax: 01553 691447  
Telex: 817550



# Service Manual